



M12 Monocrystalline Series 20W-80W

Products Characteristics

- Widely using of the most popular and mature type of modules for off-grid system.
- Leading manufacturing technology in PV industry, strictly controlling the quality of raw materials and the process of producing.
- 100% EL inspection, ensures modules are defects free.
- Cells binned by current to improve module performance.
- Anti reflective glass. Not only to increase the light absorption, but also to make the module has the function of self-cleaning in water environment, effectively reducing the power loss caused by dust.
- Outstanding performance in low-light irradiance environments.
- Excellent mechanical load resistance: Certified to withstand high wind loads(2400pa) and snow loads(5400pa).
- High salt and ammonia resistance.
- Positive power tolerance: 0-+5w.

Warranty



5 year product warranty.



10-years 90% of Min. rated output power, and 25-years 80% of Min. rated output power warranty.

Comprehensive Certificates

- ◆ ISO Certificate
- ◆ SGS-TUV Certificate
- ◆ CQC Certificate
- ◆ IEC61215、IEC61730 Certificate
- ◆ CE Certificate



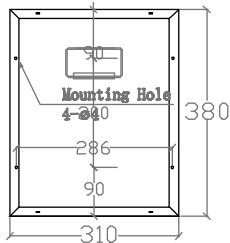
*Specifications subject to technology and test conditions,EPEVER reserves the right of final interpretation.



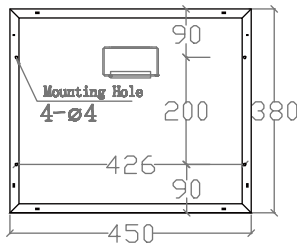
| | Model No. | Pmax (W) | Dimension(mm) | Weight (kg) | Power Tolerance | Operating Temperature | Junction-Box | Application Grade | Packing | Cell Efficiency | Voc (V) | Vmp (V) | Isc (A) | Imp (A) | Cell Size (mm) |
|--|-----------|----------|---------------|-------------|-----------------|-----------------------|--------------|-------------------|--------------|-----------------|---------|---------|---------|---------|----------------|
| | M12-36-20 | 20W | 380x310x17x17 | 1.3 | 0-+5W | -45~+80 C | IP65/IP67 | ClassA | 20pieces/box | 22.6% | 21.9 | 17.9 | 1.19 | 1.12 | 70x35 |
| | M12-36-30 | 30W | 380x450x17x17 | 2.0 | 0-+5W | -45~+80 C | IP65/IP67 | ClassA | 10pieces/box | 22.6% | 24.3 | 19.9 | 1.60 | 1.51 | 105x35 |
| | M12-32-40 | 40W | 490x450x25x25 | 2.4 | 0-+5W | -45~+80 C | IP65/IP67 | ClassA | 10pieces/box | 22.6% | 21.9 | 17.9 | 2.37 | 2.24 | 105x52.5 |
| | M12-32-50 | 50W | 620x450x25x25 | 3.1 | 0-+5W | -45~+80 C | IP65/IP67 | ClassA | 6pieces/box | 21.9% | 21.9 | 17.9 | 2.97 | 2.80 | 105x70 |
| | M12-36-60 | 60W | 690x450x25x25 | 3.4 | 0-+5W | -45~+80 C | IP65/IP67 | ClassA | 6pieces/box | 22.6% | 24.3 | 19.9 | 3.20 | 3.02 | |
| | M12-32-80 | 80W | 900x450x25x25 | 4.5 | 0-+5W | -45~+80 C | IP65/IP67 | ClassA | 5pieces/box | 22.6% | 21.9 | 17.9 | 4.74 | 4.47 | 105x105 |

| | |
|--------------------------------|--|
| Glass | 3.2mm Tempered Glass |
| Encapsulation | EVA |
| Backsheet | Multilayer Composite |
| Aluminium-Frame | Silvery/Black Anodized aluminium alloy |
| Cable | NA, but customized is acceptable |
| Connector | NA, but MC4 and MC4 Compatible are acceptable |
| Maximum System Voltage | 700V |
| Maximum Series Fuse | 10A |
| Temperature Coefficient of Isc | +0.06% |
| Temperature Coefficient of Voc | -0.32% |
| Temperature Coefficient of Pmp | -0.45% |
| Standard Test Condition | Irradiance:1000W/M ² ,Cell Temperature:25 C,Spectrum AM:1.5 |

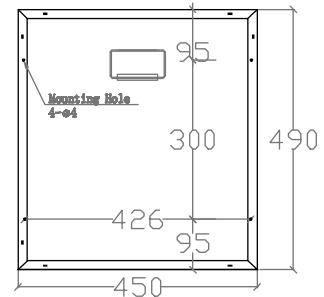
Engineering Drawings (Back Side)



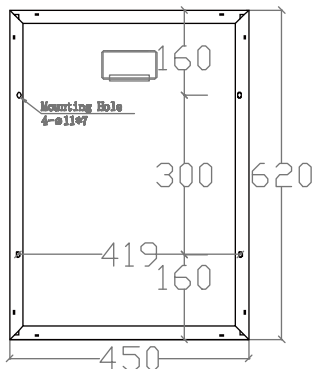
M12-36-20



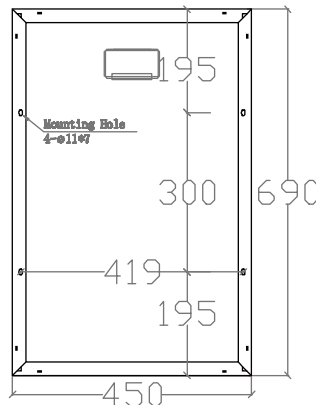
M12-36-30



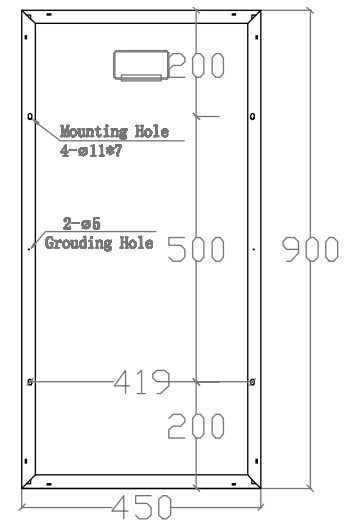
M12-32-40



M12-32-50



M12-36-60



M12-32-80