



# P6 Polycrystalline Series 100W-165W

## Products Characteristics

- Widely using of the most popular and mature type of modules for off-grid system.
- Leading manufacturing technology in PV industry, strictly controlling the quality of raw materials and the process of producing.
- 100% EL inspection, ensures modules are defects free.
- Cells binned by current to improve module performance.
- Anti reflective glass. Not only to increase the light absorption, but also to make the module has the function of self-cleaning in water environment, effectively reducing the power loss caused by dust.
- Outstanding performance in low-light irradiance environments.
- Excellent mechanical load resistance: Certified to withstand high wind loads(2400pa) and snow loads(5400pa).
- High salt and ammonia resistance.
- Positive power tolerance: 0-+5w.

## Warranty



5 year product warranty.



10-years 90% of Min. rated output power, and 25-years 80% of Min. rated output power warranty.

## Comprehensive Certificates

- ◆ ISO Certificate
- ◆ SGS-TUV Certificate
- ◆ CQC Certificate
- ◆ IEC61215、IEC61730 Certificate
- ◆ CE Certificate



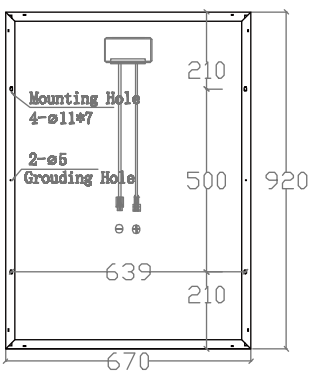
\*Specifications subject to technology and test conditions,EPEVER reserves the right of final interpretation.



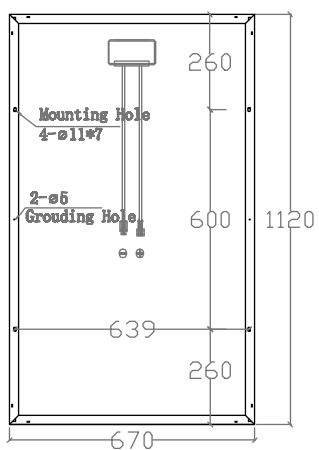
	Model No.	Pmax (W)	Dimension(mm)	Weight (kg)	Power Tolerance	Operating Temperature	Junction-Box	Application Grade	Packing	Cell Efficiency	Voc (V)	Vmp (V)	Isc (A)	Imp (A)	Cell Size (mm)
	P6-36-100	100W	920x670x28x25	6.8	0-+5W	-45~+80 C	IP65/IP67	ClassA	4pieces/box	18.6%	22.7	18.7	5.67	5.35	158.75x95
	P6-36-130	130W	1120x670x28x25	8.3	0-+5W	-45~+80 C	IP65/IP67	ClassA	38pieces/Pallet	19.3%	23.4	19.1	7.21	6.81	158.75x117
	P6-36-165	165W	1470x670x28x25	11.2	0-+5W	-45~+80 C	IP65/IP67	ClassA	38pieces/Pallet	18.5%	23.1	18.9	9.25	8.73	158.75x158.75

Glass	3.2mm Tempered Glass
Encapsulation	EVA
Backsheet	Multilayer Composite
Aluminium-Frame	Silvery/Black Anodized aluminium alloy
Cable	NA, but customized is acceptable
Connector	NA, but MC4 and MC4 Compatible are acceptable
Maximum System Voltage	700V
Maximum Series Fuse	10A
Temperature Coefficient of Isc	+0.06%
Temperature Coefficient of Voc	-0.32%
Temperature Coefficient of Pmp	-0.45%
Standard Test Condition	Irradiance:1000W/M <sup>2</sup> ,Cell Temperature:25 C ,Spectrum AM:1.5

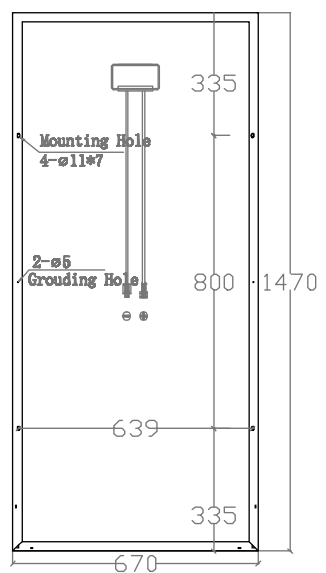
## Engineering Drawings (Back Side)



**P6-36-100**



**P6-36-130**



**P6-36-165**