

**PROJOY**  
electric  
*Switch To Safety!*



# Solar DC Junction / AC Distribution Boxes

PEJB / PEDB / PEJDB

[www.projoy-electric.com](http://www.projoy-electric.com)  
V2.0 20220414



# Contents

---

PEJB SERIES .....	01
PEJB-1-1 .....	02
PEJB-2-1 .....	03
PEJB-2-2 .....	04
PEJB-3-1 .....	05
PEJB-4-2 .....	06
PEJB-6-2 .....	07
PEDB SERIES .....	08
PEDB-S3/S6 .....	09
PEDB-T10/T20 .....	10
PEJDB SERIES .....	11
PEJDB-1-1 S3.....	12
PEJDB-2-2 S6.....	13
PEJDB-2-2 T10/T20 .....	14
Accessories .....	15
Applications .....	16

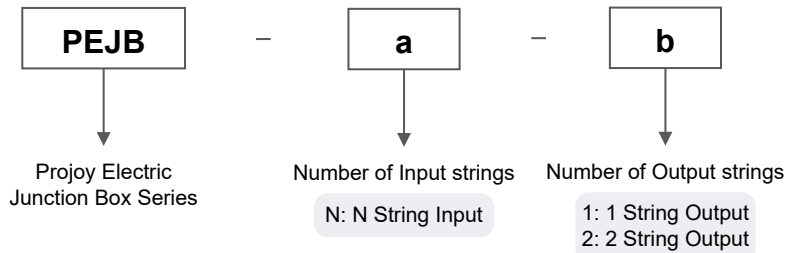
---

### What is DC Junction Box?



Projoy PEJB Series DC Junction Boxes, are used for residential, C&I scenario PV plants for combining DC strings, protecting DC components, Like PV modules/DC cable and convenient system maintenance purpose.

### Specification for Product Model



### Components Equipped

- 1) PC/ABS Enclosure: IP65, Anti-fire, Anti-UV, Anti-Impact, Anti-corrosion
- 2) DC-Switch: Isolation And Maintenance Purpose
- 3) DC-SPD, Surge Protection, Type 1/2
- 4) DC-Fuse: Overcurrent Protection
- 5) Original MC4: Customization Possible
- 6) Full Certificates: UL, TUV, CE, CB, SAA

### Selection Guide

In order to adapt to different solar systems, we have designed different models for selection.

For example, PEJB-1-1, PEJB-2-1, PEJB-2-2, PEJB-3-1 are designed for Residential Rooftop PV Plants ( $\leq 4$ string), and PEJB-4-2, PEJB-6-2 are designed for C&I Rooftop PV Plants ( $\geq 6$  strings).

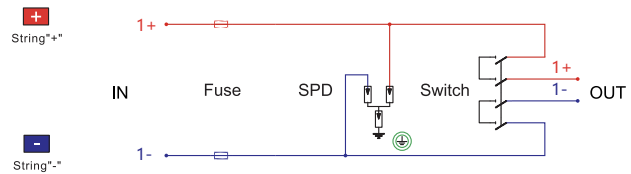
Strings No.	Input(s)	Output(s)	Model	Page	"Y" Harness	Model	Page
1	1	1	PEJB-1-1	02			
2	2	1	PEJB-2-1	03			
		2	PEJB-2-2	04	Y	PEJB-1-1	02
3	3	1	PEJB-3-1	05			
4	4	2	PEJB-4-2	06			
		4	PEJB-4-4	-	Y	PEJB-2-2	04
6	6	2	PEJB-6-2	07			
		6	PEJB-6-6	-			
8	8	8	PEJB-8-8	-	Y	PEJB-4-4	-
10	10	10	PEJB-10-10	-	Y	PEJB-6-6	-
12	12	12	PEJB-12-12	-			-

\* Models marked in red are under development.



### Solar DC Junction Box

DC 1000V / 32A, 1 in 1 out



### Projoy DC Strings / Combiner Boxes For Residential Rooftop PV Plants (≤ 4 strings)

General Data		DC Surge Arrester	
Model No.	PEJB-1-1	Max Operation Voltage(Ucpv)	1000V
Input	1 String	Standard Compliance with	IEC 61643-11/EN61643-31
Output	1 String	Maximum Discharge Current	20/40KA
Maximum Voltage	1000V	Type	1/2
Maximum Current	32A	Certification	TUV, CE, CB
Enclosure		DC fuse holder	
Material Type	PC	Rated Working Voltage	1000V
Degree of Protection	IP65	Rated Working Current	15A~32A
Degree of Resistance to Impacts	IK10	Fuse Link	10×38mm
Dimension (WxHxD)	219×200×100mm (9P)	Certification	CB, CE
Input / Output Terminal	Cable Gland / MC4		
DC Switch Disconnecter		Environment	
Rated Insulation Voltage(Ui)	1000V	Operating Temperature	-20℃~+60℃
Rated Current(Ie)	32A	Humidity	99%
Category	DC21B/PV1	Altitude	2000M
Standard Compliance with	IEC60947-3	Installation	Wall Mounting
Certification	UL, TUV, SAA, CE, CB		

#### Projoy Electric Co., Ltd.

Add: 2nd Floor, Building 3, No. 2266, Taiyang Road, Xiangcheng District, Suzhou, China

Web: en.projoy-electric.com

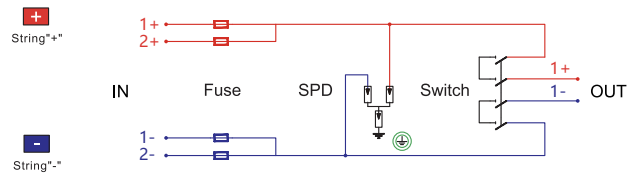
Tel: +86-512-6878 6489

Email: sales@projoy-electric.com



## Solar DC Junction Box

DC 1000V / 32A, 2 in 1 out



### Projoy DC Strings / Combiner Boxes For Residential Rooftop PV Plants ( $\leq 4$ strings)

General Data		DC Surge Arrester	
Model No.	PEJB-2-1	Max Operation Voltage(Ucpv)	1000V
Input	2 String	Standard Compliance with	IEC 61643-11/EN61643-31
Output	1 String	Maximum Discharge Current	40KA
Maximum Voltage	1000V	Type	2
Max DC Short Circuit Current Per Input	15A (changeable)	Certification	TUV, CE, CB
Maximum Current Output	32A		
Enclosure		DC fuse holder	
Material Type	Polycarbonate/ABS	Rated Working Voltage	1000V
Degree of Protection	IP65	Rated Working Current	15A~32A
Degree of Resistance to Impacts	IK10	Fuse Link	10×38mm
Dimension (WxHxD)	273×230×110mm (12P)	Certification	CB, CE
Cable Input Entry	Cable Gland $\varnothing$ 4-8mm or MC4		
Cable Output Entry	Cable Gland $\varnothing$ 4-8mm or MC4		
DC Switch Disconnecter		Environment	
Rated Insulation Voltage(Ui)	1000V	Operating Temperature	-20℃~+60℃
Rated Current(Ie)	32A	Humidity	99%
Category	DC21B/PV1	Altitude	2000M
Standard Compliance with	IEC60947-3	Installation	Wall Mounting
Certification	UL, TUV, SAA, CE, CB		

#### Projoy Electric Co., Ltd.

Add: 2nd Floor, Building 3, No. 2266, Taiyang Road, Xiangcheng District, Suzhou, China

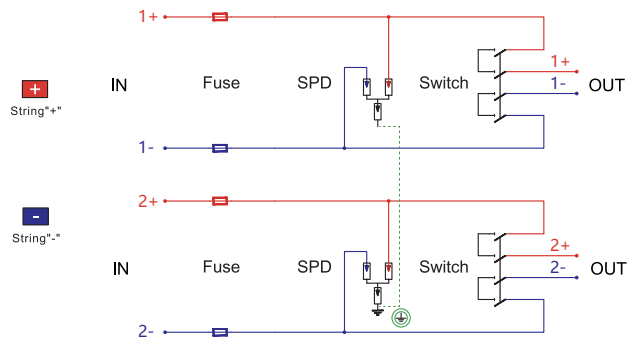
Web: en.projoy-electric.com

Tel: +86-512-6878 6489

Email: sales@projoy-electric.com

### Solar DC Junction Box

DC 1000V / 32A, 2 in 2 out



### Projoy DC Strings / Combiner Boxes For Residential Rooftop PV plants (≤ 4 strings)

General Data		DC Surge Arrester	
Model No.	PEJB-2-2	Max Operation Voltage(Uc <sub>pv</sub> )	1000V
Input	2 String	Standard Compliance with	IEC 61643-11/EN61643-31
Output	2 String	Maximum Discharge Current	40KA
Maximum Voltage	1000V	Type	2
Max DC Short Circuit Current Per Input	15A (changeable)	Certification	TUV, CE, CB
Maximum Current Output	32A		
Enclosure		DC fuse holder	
Material Type	Polycarbonate/ABS	Rated Working Voltage	1000V
Degree of Protection	IP65	Rated Working Current	15A~32A
Degree of Resistance to Impacts	IK10	Fuse Link	10×38mm
Dimension (WxHxD)	381×230×110mm (12P)	Certification	CB, CE
Cable Input Entry	Cable Gland ∅4-8mm or MC4		
Cable Output Entry	Cable Gland ∅4-8mm or MC4		
DC Switch Disconnecter		Environment	
Rated Insulation Voltage(U <sub>i</sub> )	1000V	Operating Temperature	-20℃~+60℃
Rated Current(I <sub>e</sub> )	32A	Humidity	99%
Category	DC21B/PV1	Altitude	2000M
Standard Compliance with	IEC60947-3	Installation	Wall Mounting
Certification	UL, TUV, SAA, CE, CB		

#### Projoy Electric Co., Ltd.

Add: 2nd Floor, Building 3, No. 2266, Taiyang Road, Xiangcheng District, Suzhou, China

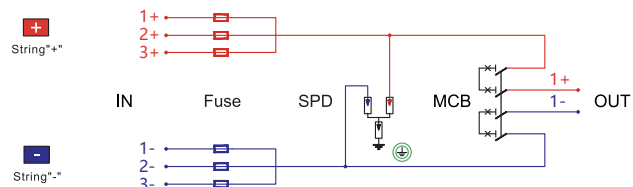
Web: en.projoy-electric.com

Tel: +86-512-6878 6489

Email: sales@projoy-electric.com

## Solar DC Junction Box

DC 1000V / 32A, 3 in 1 out



### Projoy DC Strings / Combiner Boxes For Residential Rooftop PV Plants ( $\leq 4$ strings)

General Data		DC Surge Arrester	
Model No.	PEJB-3-1	Max Operation Voltage(Ucpv)	1000V
Input	3 String	Standard Compliance with	IEC 61643-11/EN61643-31
Output	1 String	Maximum Discharge Current	40KA
Maximum Voltage	1000V	Type	2
Max DC Short Circuit Current Per Input	15A (changeable)	Certification	TUV, CE, CB
Maximum Current Output	32A or 40A		
Enclosure		DC fuse holder	
Material Type	Polycarbonate/ABS	Rated Working Voltage	1000V
Degree of Protection	IP65	Rated Working Current	15A~32A
Degree of Resistance to Impacts	IK10	Fuse Link	10×38mm
Dimension (WxHxD)	381×230×110mm (18P)	Certification	CB, CE
Cable Input Entry	Cable Gland $\varnothing$ 4-8mm or MC4		
Cable Output Entry	Cable Gland $\varnothing$ 4-8mm or MC4		
DC Switch Disconnecter		Environment	
Rated Insulation Voltage(Ui)	1000V	Operating Temperature	-20℃~+60℃
Rated Current(Ie)	32A	Humidity	99%
Category	DC21B/PV1	Altitude	2000M
Standard Compliance with	IEC60947-3	Installation	Wall Mounting
Certification	UL, TUV, SAA, CE, CB		

#### Projoy Electric Co., Ltd.

Add: 2nd Floor, Building 3, No. 2266, Taiyang Road, Xiangcheng District, Suzhou, China

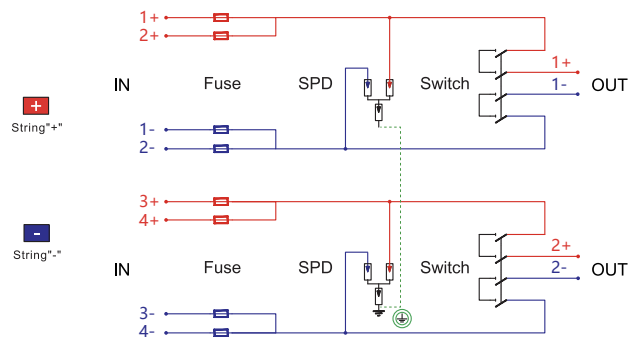
Web: en.projoy-electric.com

Tel: +86-512-6878 6489

Email: sales@projoy-electric.com

## Solar DC Junction Box

DC 1000V / 32A, 4 in 2 out



### Projoy DC Strings / Combiner Boxes For C&I Rooftop PV Plants (≥ 6 strings)

General Data		DC Surge Arrester	
Model No.	PEJB-4-2	Max Operation Voltage(Uc <sub>pv</sub> )	1000V
Input	4 String	Standard Compliance with	IEC 61643-11/EN61643-31
Output	2 String	Maximum Discharge Current	40KA
Maximum Voltage	1000V	Type	2
Max DC Short Circuit Current Per Input	15A (changeable)	Certification	TUV, CE, CB
Maximum Current Output	32A		
Enclosure		DC fuse holder	
Material Type	Polycarbonate/ABS	Rated Working Voltage	1000V
Degree of Protection	IP65	Rated Working Current	15A~32A
Degree of Resistance to Impacts	IK10	Fuse Link	10×38mm
Dimension (WxHxD)	381×380×110mm (36P)	Certification	CB, CE
Cable Input Entry	Cable Gland ∅4-8mm or MC4		
Cable Output Entry	Cable Gland ∅4-8mm or MC4		
DC Switch Disconnecter		Environment	
Rated Insulation Voltage(U <sub>i</sub> )	1000V	Operating Temperature	-20℃~+60℃
Rated Current(I <sub>e</sub> )	32A	Humidity	99%
Category	DC21B/PV1	Altitude	2000M
Standard Compliance with	IEC60947-3	Installation	Wall Mounting
Certification	UL, TUV, SAA, CE, CB		

**Projoy Electric Co., Ltd.**

Add: 2nd Floor, Building 3, No. 2266, Taiyang Road, Xiangcheng District, Suzhou, China

Web: en.projoy-electric.com

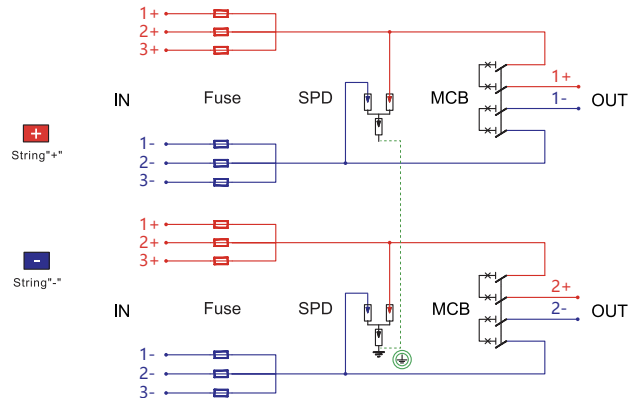
Tel: +86-512-6878 6489

Email: sales@projoy-electric.com



### Solar DC Junction Box

DC 1000V / 32A, 6 in 2 out



### Projoy DC Strings / Combiner Boxes For C&I Rooftop PV Plants (≥ 6 strings)

General Data		DC Surge Arrester	
Model No.	PEJB-6-2	Max Operation Voltage(Uc <sub>pv</sub> )	1000V
Input	6 String	Standard Compliance with	IEC 61643-11/EN61643-31
Output	2 String	Maximum Discharge Current	40KA
Maximum Voltage	1000V	Type	2
Max DC Short Circuit Current Per Input	15A (changeable)	Certification	TUV, CE, CB
Maximum Current Output	32A		
Enclosure		DC fuse holder	
Material Type	Polycarbonate/ABS	Rated Working Voltage	1000V
Degree of Protection	IP65	Rated Working Current	15A~32A
Degree of Resistance to Impacts	IK10	Fuse Link	10×38mm
Dimension (WxHxD)	381×380×110mm (36P)	Certification	CB, CE
Cable Input Entry	Cable Gland ∅4-8mm or MC4		
Cable Output Entry	Cable Gland ∅4-8mm or MC4		
DC Switch Disconnecter		Environment	
Rated Insulation Voltage(U <sub>i</sub> )	1000V	Operating Temperature	-20℃~+60℃
Rated Current(I <sub>e</sub> )	32A	Humidity	99%
Category	DC21B/PV1	Altitude	2000M
Standard Compliance with	IEC60947-3	Installation	Wall Mounting
Certification	UL, TUV, SAA, CE, CB		

#### Projoy Electric Co., Ltd.

Add: 2nd Floor, Building 3, No. 2266, Taiyang Road, Xiangcheng District, Suzhou, China

Web: en.projoy-electric.com

Tel: +86-512-6878 6489

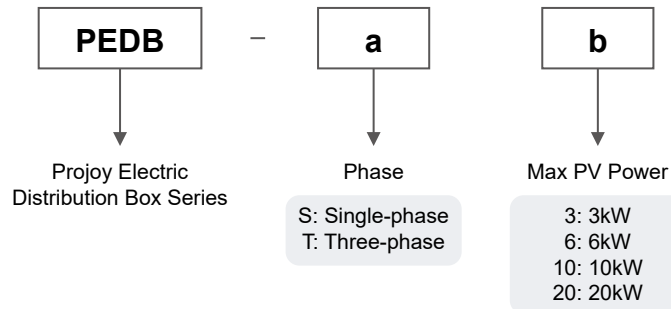
Email: sales@projoy-electric.com

## What is AC Distribution Box?



Projoy PEDB Series AC Distribution Boxes, are used for residential, C&I scenario PV plants for electricity distribution, protecting AC components, Like SOLAR INVERTER/BATTERY/AC CABLE, metering, convenient system maintenance purpose.

## Specification for Product Model



## Components Equipped

- 1) PC/ABS Enclosure: IP65, Anti-fire, Anti-UV, Anti-Impact, Anti-corrosion
- 2) AC-MCB: Overcurrent And Short Current Protection
- 3) AC-SPD: Surge Protection, Type 1/2
- 4) AC-RCCB: Leakage Current Protection
- 5) Original MC4: Customization Possible
- 6) Full certificates: UL, TUV, CE, CB, SAA

## Selection Guide

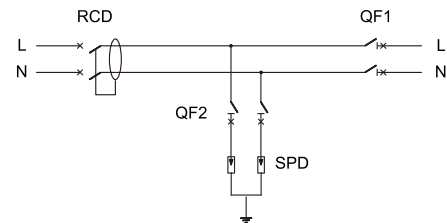
In order to adapt to different solar systems, we have designed different models for selection. For example, PEDB-S3, PEDB-S6 are designed for Residential Rooftop PV Plants ( $\leq 30kW$ ), and PEDB-T10, PEDB-T20 are designed for C&I Rooftop PV plants ( $\geq 30kW$ ).

Solar Inverter Power	Phases	Model	Page
$\leq 3kW$	Single	PEDB-S3	09
$\leq 6kW$	Single	PEDB-S6	09
$\leq 10kW$	Three	PEDB-T10	10
$\leq 20kW$	Three	PEDB-T20	10
$\leq 40kW$	Three	PEDB-T40	-
$\leq 60kW$	Three	PEDB-T60	-

\* Models marked in red are under development.

## Solar AC Distribution Box

AC 230V / 16 & 32A



### Projoy AC distribution Boxes For Residential Rooftop PV Plants (≤ 30kW)

General Data			AC SPD	
Model No.	PEDB-S3	PEDB-S6	Nominal Voltage	275 VAC
Nominal Voltage	230 VAC	230 VAC	Max. Discharge Current	40kA
Nominal Current	16 A	32 A	Poles	1P
Nominal Frequency		50 / 60 Hz	Certification	TUV, CE, CB
Enclosure			AC RCCB	
Material Type	Polycarbonate/ABS		Poles	2P
Ingress Protection Rating	IP65		Nominal Current	25A      40A
Degree of Resistance to Impacts	IK10		Nominal Voltage	230V
Poles	9P		Type	AC(A Optional)
Cable Input Entry	Cable Gland ∅ 4-8mm or MC4		Nominal Voltage	100mA(100mA/300mA Optional)
Cable Output Entry	Cable Gland ∅ 4-8mm or MC4		Type	CE, CB
AC MCB			Environment	
Poles	1P+N		Operating Temperature	-20 °C ~ +60 °C
Nominal Current	16A	32A	Humidity	99%
Nominal Voltage	230 VAC		Altitude	2000M
Breaking Capacity	4.5kA		Installation	Wall Mounting
Certification	TUV, SAA, CE, CB			

**Projoy Electric Co., Ltd.**

Add: 2nd Floor, Building 3, No. 2266, Taiyang Road, Xiangcheng District, Suzhou, China

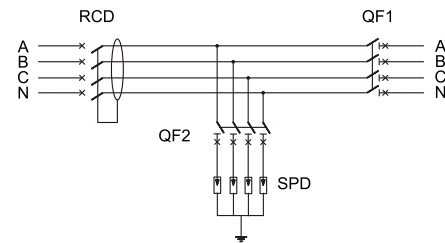
Web: en.projoy-electric.com

Tel: +86-512-6878 6489

Email: sales@projoy-electric.com

### Solar AC Distribution Box

AC 400V / 20 & 40A



### Projoy AC distribution Boxes For C&I Rooftop PV plants ( ≥ 30kW)

General Data			AC SPD	
Model No.	PEDB-T10	PEDB-T20	Nominal Voltage	440 VAC
Nominal Voltage	400 VAC	400 VAC	Max. Discharge Current	40 kA
Nominal Current	20 A	40 A	Poles	4P
			Certification	TUV, CE, CB
Enclosure			AC RCCB	
Material Type	Polycarbonate/ABS		Poles	4P
Ingress Protection Rating	IP65		Nominal Current	40A
Degree of Resistance to Impacts	IK10		Nominal Voltage	400V
Poles	18P		Type	AC(A Optional)
Cable Input Entry	Cable Gland $\varnothing$ 4-8mm or MC4		Nominal Voltage	100mA(100mA/300mA Optional)
Cable Output Entry	Cable Gland $\varnothing$ 4-8mm or MC4		Type	CE, CB
AC MCB			Environment	
Poles	4P		Operating Temperature	-20 °C ~ +60 °C
Nominal Current	20 A	40 A	Humidity	99%
Nominal Voltage	400 VAC		Altitude	2000M
Breaking Capacity	6 kA		Installation	Wall Mounting
Certification	TUV, SAA, CE, CB			

#### Projoy Electric Co., Ltd.

Add: 2nd Floor, Building 3, No. 2266, Taiyang Road, Xiangcheng District, Suzhou, China

Web: en.projoy-electric.com

Tel: +86-512-6878 6489

Email: sales@projoy-electric.com

### What is Solar DC&AC Distribution Box?



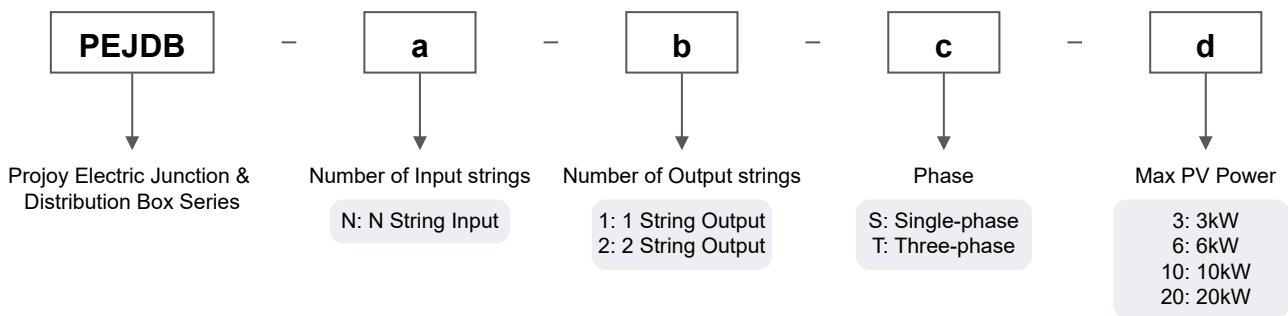
**DC&AC Distribution Box = AC distribution box + DC Junction box**

Which is usually used in residential or commercial photovoltaic systems, integrated both DC Junction Box and AC Distribution Box.

Suitable to different photovoltaic system such as single-phase photovoltaic system can up to 6 kW, and three-phase photovoltaic system can up to 20 kW.

And is needed we can offer customization service.

### Specification for Product Model



### Highlights

- 1) Equipped with an AC breaker, an AC surge protector, an AC RCCB , a SPD(DC surge protector), a DC fuse and a DC isolator.
- 2) Enclosures are made of polycarbonate (PC) materials.
- 3) IP65 rating for outdoor installation, resisting UV radiation, water, dust, reducing corrosion.
- 4) Transparency cover, observe interior mechanism directly.
- 5) Reliable components, with TUV, CE certificated, in accordance with IEC standard.
- 6) IP68 cable connector, Waterproof cable connector & MC4 connectors are optional.

### Selection Guide

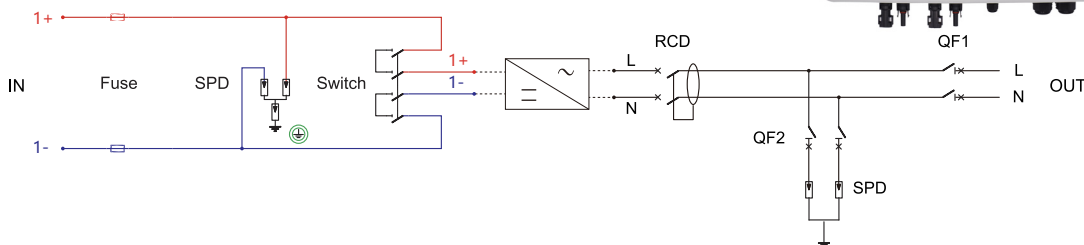
In order to adapt to different solar systems, we have designed different models for selection.

For example, PEJDB-1-1/S3, PEJDB-2-2/S6 are designed for Residential Rooftop PV Plants ( $\leq 30\text{kW}$ ), and PEJDB-2-2/T10, PEJDB-2-2/T20 are designed for C&I Rooftop PV Plants ( $\geq 30\text{kW}$ ).

Strings No.	Input(s)	Output(s)	Solar Inverter Power	Phases	Model	Page
1	1	1	$\leq 3\text{kW}$	Single	PEJDB-1-1/S3	12
2	2	1	$\leq 6\text{kW}$	Single	PEJDB-2-2/S6	13
		2	$\leq 10\text{kW}$	Three	PEJDB-2-2/T10	14
			$\leq 20\text{kW}$	Three	PEJDB-2-2/T20	14

### Solar DC&AC Distribution Box

AC 230V / 16A



### Projoy DC&AC Distribution Boxes For Residential Rooftop PV Plants ( $\leq 4$ strings, $\leq 30$ kW)

General Data			
DC		AC	
Model No.	PEJDB-1-1/S3	Model No.	PEJDB-1-1/S3
Input	1 string	Nominal Voltage	230 VAC
Output	1 string	Nominal Current	16 A
Maximum Voltage	1000V	Nominal Frequency	
Maximum Current Output	32A	<b>AC MCB</b>	
<b>DC Surge Arrester</b>		Poles	1P+N
Max Operation Volatage (Ucpv)	1000V	Nominal Current	16 A
Standard Compliance With	EN50539 Type 2	Nominal Voltage	230 VAC
Maximun Discharge Current	40kA	Breaking Capacity	4.5kA
Certification	CE	Certification	TUV, SAA, CE, CB
<b>DC Fuse Holder</b>		<b>AC SPD</b>	
Rated Working Voltage	1000V	Nominal Voltage	275 VAC
Fuse Link	10*38mm 15-32A	Max. Discharge Current	40 kA
Certification	CE	Poles	1P
<b>DC Switch Disconnecter</b>		Certification	TUV, CE, CB
Rated Insulation Voltage (Ui)	1000	<b>AC RCCB</b>	
Rated Current (Ie)	32 A	Poles	2P
Category	DC21B/PV1	Nominal Current	25 A
Standard Compliance With	IEC 60947-3	Nominal Voltage	230 VAC
Certification	TUV, SAA, CE	Type	AC(A Optional)
<b>Enclosure</b>		Residual current	100mA(100mA/300mA Optional)
Material Type	PC/ABS	Certification	CE
Ingress Protection Rating	IP65	<b>Environment</b>	
Impact Protection Rating	IK10	Operaling Temperature	-20 C ~+60 C
Poles	18P	Humidity	99%
DC Input / Output	cable gland $\varnothing$ 4-8mm or MC4	Altitude	2000M
DC Input / Output	cable gland $\varnothing$ 10-14mm	Installation	Wall Mounting

#### Projoy Electric Co., Ltd.

Add: 2nd Floor, Building 3, No. 2266, Taiyang Road, Xiangcheng District, Suzhou, China

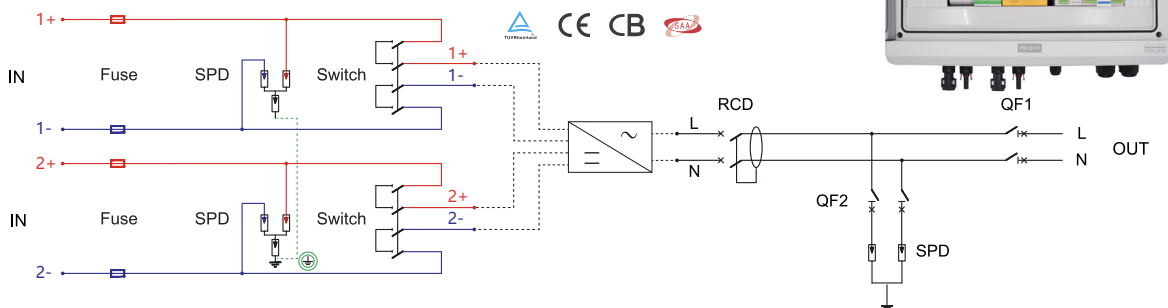
Web: en.projoy-electric.com

Tel: +86-512-6878 6489

Email: sales@projoy-electric.com

### Solar DC&AC Distribution Box

AC 230V / 32A



### Projoy DC&AC Distribution Boxes For Residential Rooftop PV Plants (≥ 6 strings, ≤ 30kW)

General Data			
<b>DC</b>		<b>AC</b>	
Model No.	PEJDB-2-2/S6	Model No.	PEJDB-2-2/S6
Input	2 string	Nominal Voltage	230 VAC
Output	2 string	Nominal Current	32 A
Maximum Voltage	1000V	Nominal Frequency	50 / 60 Hz
Maximum Current Output	32A	<b>AC MCB</b>	
<b>DC Surge Arrester</b>		Poles	1P+N
Max Operation Volatage (Ucpv)	1000V	Nominal Current	32 A
Standard Compliance With	EN50539 Type 2	Nominal Voltage	230 VAC
Maximun Discharge Current	40kA	Breaking Capacity	4.5kA
Certification	CE	Certification	TUV, SAA, CE, CB
<b>DC Fuse Holder</b>		<b>AC SPD</b>	
Rated Working Voltage	1000V	Nominal Voltage	275 VAC
Fuse Link	10*38mm 15-32A	Max. Discharge Current	40 kA
Certification	CE	Poles	1P
<b>DC Switch Disconnecter</b>		Certification	TUV, CE, CB
Rated Insulation Voltage (Ui)	1000	<b>AC RCCB</b>	
Rated Current (Ie)	32 A	Poles	2P
Category	DC21B/PV1	Nominal Current	40 A
Standard Compliance With	IEC 60947-3	Nominal Voltage	230 VAC
Certification	TUV, SAA, CE	Type	AC(A Optional)
<b>Enclosure</b>		Residual current	100mA(100mA/300mA Optional)
Material Type	PC/ABS	Certification	CE
Ingress Protection Rating	IP65	<b>Environment</b>	
Impact Protection Rating	IK10	Operaling Temperature	-20 ℃ ~+60 ℃
Poles	24P	Humidity	99%
DC Input / Output	cable gland ∅ 4-8mm or MC4	Altitude	2000M
DC Input / Output	cable gland ∅ 10-14mm	Installation	Wall Mounting

#### Projoy Electric Co., Ltd.

Add: 2nd Floor, Building 3, No. 2266, Taiyang Road, Xiangcheng District, Suzhou, China

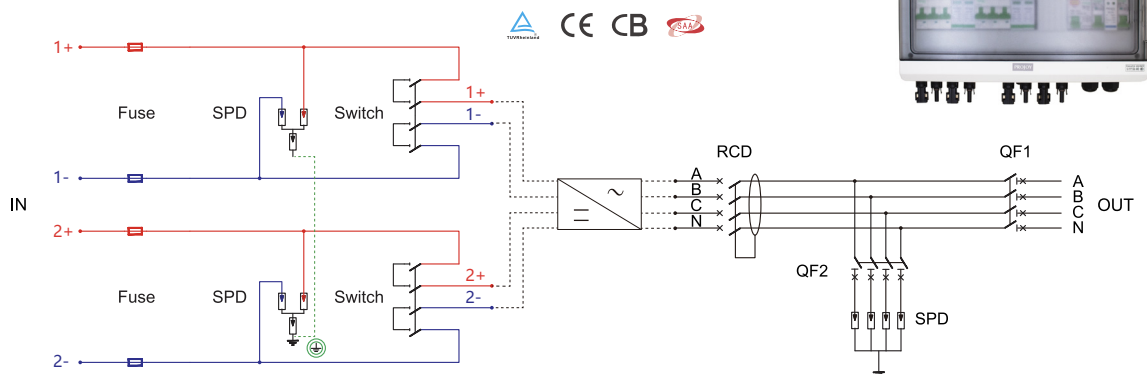
Web: en.projoy-electric.com

Tel: +86-512-6878 6489

Email: sales@projoy-electric.com

### Solar DC&AC Distribution Box

AC 400V / 20 & 40A



### Projoy DC&AC Distribution Boxes For C&I Rooftop PV Plants (≥ 6 strings, ≥ 30kW)

General Data			
Model No.	PEJDB-2-2/T10	PEJDB-2-2/T20	
AC Nominal Voltage	400 VAC	400 VAC	
AC Nominal Current	20 A	40 A	
DC Surge Arrester		AC MCB	
Max Operation Volatage (Ucpv)	1000V	Poles	4P
Standard Compliance With	EN50539 Type 2	Nominal Current	20 A      40 A
Maximun Discharge Current	40kA	Nominal Voltage	400 VAC
Certification	CE	Breaking Capacity	6kA
		Certification	TUV, SAA, CE, CB
DC Fuse Holder		AC SPD	
Rated Working Voltage	1000V	Nominal Voltage	440 VAC
Fuse Link	10*38mm 15-32A	Max. Discharge Current	40 kA
Certification	CE	Poles	4P
DC Switch Disconnecter		Certification	
Rated Insulation Voltage (Ui)	1000	TUV, CE, CB	
Rated Current (Ie)	32 A	AC RCCB	
Category	DC21B/PV1	Poles	4P
Standard Compliance With	IEC 60947-3	Nominal Current	40 A
Certification	TUV, SAA, CE	Nominal Voltage	400 VAC
Enclosure		Type	AC(A Optional)
Material Type	PC/ABS	Residual current	100mA(100mA/300mA Optional)
Ingress Protection Rating	IP65	Certification	CE
Impact Protection Rating	IK10	Environment	
Poles	36P	Operaling Temperature	-20 ℃ ~+60 ℃
DC Input / Output	cable gland ∅ 4-8mm or MC4	Humidity	99%
DC Input / Output	cable gland ∅ 10-14mm	Altitude	2000M
		Installation	Wall Mounting

Projoy Electric Co., Ltd.

Add: 2nd Floor, Building 3, No. 2266, Taiyang Road, Xiangcheng District, Suzhou, China

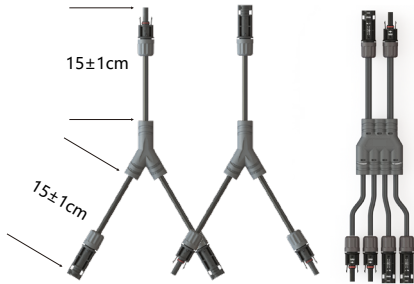
Web: en.projoy-electric.com

Tel: +86-512-6878 6489





Email: sales@projoy-electric.com



### Solar H-Y/2Y Branch Harness



H-Y/2Y Branch use high quality materials that guarantee long-term reliability. Use welding technology to ensure connection's long term reliability. Lower contact resistance and higher current transfer capability ensure high product efficiency. Have IP68 water-proof rating and can be used in a wide operating temperature range from -40 °C to 85°C.

-  IEC 1500V / UL 1500V
-  -40 °C ~85 °C
-  UL94-V
-  IP 68



Type	Cable Spec	Junction Current/ A	Standard Package Unit	Connector
<b>H-Y-0404</b>	Input: 2x12Awg/4mm <sup>2</sup> Output: 1x12Awg/4mm <sup>2</sup>	String Input: ≤ 30A <sup>*1</sup> Output: ≤ 30A <sup>*1</sup>	<b>30 pairs /Carton</b>	A4 Max
H-Y-2F1M-0404			30 pcs / package	
H-Y-2M1F-0404			30 pcs / package	
<b>H-Y-0606</b>	Input: 2x10Awg/6mm <sup>2</sup> Output: 1x10Awg/6mm <sup>2</sup>	String Input: ≤ 30A <sup>*1</sup> Output: ≤ 30A <sup>*1</sup>	<b>30 pairs /Carton</b>	A4 Max
H-Y-2F1M-0606			30 pcs / package	
H-Y-2M1F-0606			30 pcs / package	
<b>H-Y-1010</b>	Input: 2x8Awg/10mm <sup>2</sup> Output: 1x8Awg/10mm <sup>2</sup>	String Input: ≤ 30A <sup>*1</sup> Output: ≤ 30A <sup>*1</sup>	<b>30 pairs /Carton</b>	A4 Max
H-Y-2F1M-1010			30 pcs / package	
H-Y-2M1F-1010			30 pcs / package	
<b>H-Y-0616</b>	Input: 2x10Awg/6mm <sup>2</sup> Output: 1x6Awg/16mm <sup>2</sup>	String Input: ≤ 30A <sup>*1</sup> Output: ≤ 30A <sup>*1</sup>	<b>30 pairs /Carton</b>	A4 Max
H-Y-2F1M-0616			30 pcs / package	
H-Y-2M1F-0616			30 pcs / package	
<b>H-2Y-0404</b>	Input: 4x12Awg/4mm <sup>2</sup> Output: 2x12Awg/4mm <sup>2</sup>	String Input: ≤ 30A <sup>*1</sup> Output: ≤ 30A <sup>*1</sup>	40 pcs / Carton	MC4(Staubli)
<b>H-2Y-0406</b>	Input: 4x12Awg/4mm <sup>2</sup> Output: 2x10Awg/6mm <sup>2</sup>	String Input: ≤ 35A <sup>*1</sup> Output: ≤ 45A <sup>*1</sup>	40 pcs / Carton	MC4(Staubli)
<b>H-2Y-0410</b>	Input: 4x12Awg/4mm <sup>2</sup> Output: 2x8Awg/10mm <sup>2</sup>	String Input: ≤ 35A <sup>*1</sup> Output: ≤ 50A <sup>*1</sup>	40 pcs / Carton	MC4(Staubli)
<b>H-2Y-0610</b>	Input: 4x10Awg/6mm <sup>2</sup> Output: 2x8Awg/10mm <sup>2</sup>	String Input: ≤ 40A <sup>*1</sup> Output: ≤ 70A <sup>*1</sup>	40 pcs / Carton	A4 Max
<b>H-2Y-0616</b>	Input: 4x10Awg/6mm <sup>2</sup> Output: 2x6Awg/16mm <sup>2</sup>	String Input: ≤ 40A <sup>*1</sup> Output: ≤ 70A <sup>*1</sup>	40 pcs / Carton	A4 Max

\*1 The sealing junction rated current is 70 A. The final product rated current is restricted by cables and connectors.

#### Projoy Electric Co., Ltd.

Add: 2nd Floor, Building 3, No. 2266, Taiyang Road, Xiangcheng District, Suzhou, China

Web: en.projoy-electric.com

Tel: +86-512-6878 6489

Email: sales@projoy-electric.com



Netherlands



Puerto Rico



Puerto Rico



Thailand



Spain



Australia



Philippine

**Projoy Electric Co., Ltd.**

Add: 2nd Floor, Building 3, No. 2266, Taiyang Road, Xiangcheng District, Suzhou, China

Web: [en.projoy-electric.com](http://en.projoy-electric.com)

Tel: +86-512-6878 6489

Email: [sales@projoy-electric.com](mailto:sales@projoy-electric.com)



**PROJOY**  
electric  
*Switch To Safety!*

## **Projoy Electric Co., Ltd.**

---

Add: 2nd Floor, Building 3, No. 2266, Taiyang Road, Xiangcheng District, Suzhou, China

Web: [en.projoy-electric.com](http://en.projoy-electric.com)

Tel: +86-512-6878 6489

Email: [sales@projoy-electric.com](mailto:sales@projoy-electric.com)