



■ Features :

- Universal AC input / Full range
- No load power consumption < 0.3W
- Energy efficiency Level V
- Comply with EISA 2007
- 2 pole USA plug
- Class II power (without earth pin)
- Protections: Short circuit / Overload / Over Voltage / Over temperature
- Pass LPS
- Fully enclosed plastic case
- 2 years warranty

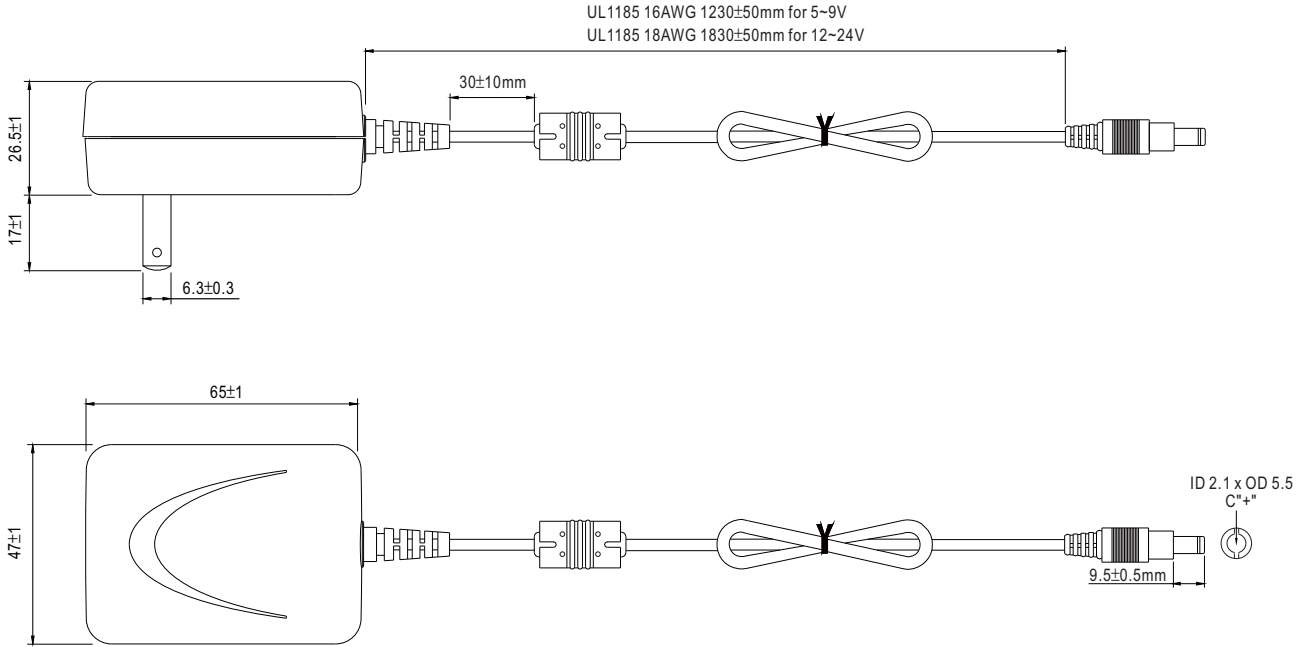


SPECIFICATION

| ORDER NO.                 | GS12U05-P1I   | GS12U07-P1I   | GS12U09-P1I | GS12U12-P1I    | GS12U15-P1I | GS12U18-P1I | GS12U24-P1I |          |
|---------------------------|---|---|-------------|----------------|-------------|-------------|-------------|----------|
| OUTPUT                    | SAFETY MODEL NO.  | GS12U05   | GS12U07     | GS12U09        | GS12U12     | GS12U15     | GS12U18     | GS12U24  |
|                           | DC VOLTAGE  | 5V  | 7.5V        | 9V             | 12V         | 15V         | 18V         | 24V      |
|                           | RATED CURRENT   | 2.0A  | 1.6A        | 1.33A          | 1.0A        | 0.8A        | 0.67A       | 0.5A     |
|                           | CURRENT RANGE   | 0 ~ 2.0A  | 0 ~ 1.6A    | 0 ~ 1.33A      | 0 ~ 1.0A    | 0 ~ 0.8A    | 0 ~ 0.67A   | 0 ~ 0.5A |
|                           | RATED POWER   | 10W   | 12W         | 12W            | 12W         | 12W         | 12.06W      | 12W      |
|                           | RIPPLE & NOISE (max.) Note.2  | 75mVp-p   | 90mVp-p     | 90mVp-p        | 120mVp-p    | 150mVp-p    | 180mVp-p    | 200mVp-p |
|                           | VOLTAGE TOLERANCE Note.3  | ±5.0%   | ±4.0%       | ±4.0%          | ±4.0%       | ±3.0%       | ±3.0%       | ±3.0%    |
|                           | LINE REGULATION Note.4  | ±1.0%   | ±1.0%       | ±1.0%          | ±1.0%       | ±1.0%       | ±1.0%       | ±1.0%    |
|                           | LOAD REGULATION Note.5  | ±5.0%   | ±4.0%       | ±4.0%          | ±3.0%       | ±3.0%       | ±2.0%       | ±2.0%    |
| SETUP, RISE, HOLD UP TIME | 500ms, 20ms, 30ms/230VAC      500ms, 20ms, 10ms/115VAC at full load   |   |             |                |             |             |             |          |
| INPUT                     | VOLTAGE RANGE   | 90 ~ 264VAC   |             | 135 ~ 370VDC   |             |             |             |          |
|                           | FREQUENCY RANGE   | 47 ~ 63Hz   |             |                |             |             |             |          |
|                           | EFFICIENCY (Typ.)   | 76%   | 78.5%       | 78.5%          | 78.5%       | 80%         | 80%         | 80.5%    |
|                           | AC CURRENT  | 0.31A / 115VAC  |             | 0.16A / 230VAC |             |             |             |          |
|                           | INRUSH CURRENT (max.)   | COLD START 25A / 115VAC   |             | 45A / 230VAC   |             |             |             |          |
|                           | LEAKAGE CURRENT (max.)  | 0.25mA / 240VAC   |             |                |             |             |             |          |
| PROTECTION                | OVERLOAD  | >105% rated output power<br>Protection type : Hiccup mode, recovers automatically after fault condition is removed                                  |             |                |             |             |             |          |
|                           | OVER VOLTAGE  | 115% ~ 135%<br>Protection type : Clamp by zener diode   |             |                |             |             |             |          |
|                           | OVER TEMPERATURE Note.6   | U1 Tj 140°C typically (U1) Detect on main control IC<br>Protection type : Shut down o/p voltage, recovers automatically after temperature goes down |             |                |             |             |             |          |
| ENVIRONMENT               | WORKING TEMP.   | 0 ~ +50°C (Refer to "Derating Curve")   |             |                |             |             |             |          |
|                           | WORKING HUMIDITY  | 20% ~ 90% RH non-condensing   |             |                |             |             |             |          |
|                           | STORAGE TEMP., HUMIDITY   | -20 ~ +85°C, 10 ~ 95% RH  |             |                |             |             |             |          |
|                           | TEMP. COEFFICIENT   | ±0.03% / °C (0 ~ 40°C)  |             |                |             |             |             |          |
|                           | VIBRATION   | 10 ~ 500Hz, 2G 10min./1cycle, period for 60min. each along X, Y, Z axes   |             |                |             |             |             |          |
| SAFETY & EMC              | SAFETY STANDARDS  | UL60950-1, CSA22.2, BSMI CNS14336 approved  |             |                |             |             |             |          |
|                           | WITHSTAND VOLTAGE   | I/P-O/P:3KVAC   |             |                |             |             |             |          |
|                           | ISOLATION RESISTANCE  | I/P-O/P:100M Ohms / 500VDC / 25°C / 70% RH  |             |                |             |             |             |          |
|                           | EMC EMISSION  | Compliance to FCC PART 15 / CISPR22 class B, CNS13438 class B   |             |                |             |             |             |          |
| OTHERS                    | MTBF  | 1414.6Khrs min. MIL-HDBK-217F (25°C)  |             |                |             |             |             |          |
|                           | DIMENSION   | 65*47*26.5mm (L*W*H)  |             |                |             |             |             |          |
|                           | PACKING   | 0.15Kg ; 100pcs / 16Kg / CARTON   |             |                |             |             |             |          |
| CONNECTOR                 | PLUG  | See page 2 ; Other type available by customer requested   |             |                |             |             |             |          |
|                           | CABLE   | See page 2 ; Other type available by customer requested   |             |                |             |             |             |          |
| NOTE                      | <p>1. All parameters are specified at 115VAC input, rated load, 25°C 70% RH ambient.</p> <p>2. Ripple &amp; noise are measured at 20MHz by using a 12" twisted pair terminated with a 0.1uf &amp; 47uf capacitor.</p> <p>3. Tolerance: includes set up tolerance, line regulation, load regulation.</p> <p>4. Line regulation is measured from low line to high line at rated load.</p> <p>5. Load regulation is measured from 10% to 100% rated load.</p> <p>6. The over temperature protection (OTP) is the built-in function of the control IC (U1). The activating level described above is based on the specification provided by the IC manufacturer.</p> |   |             |                |             |             |             |          |

**Mechanical Specification**

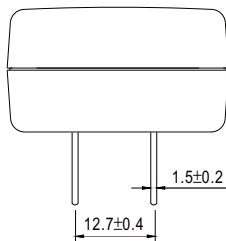
Unit:mm



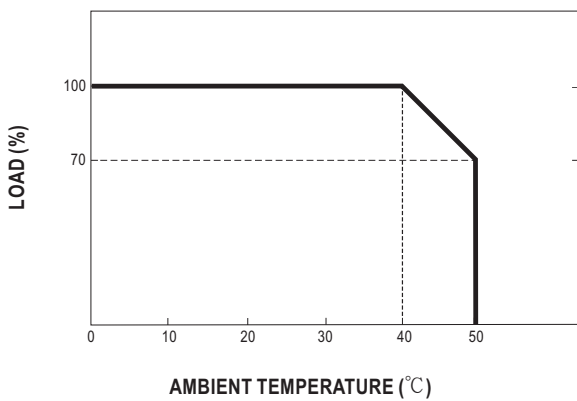
**Plug Assignment**

Standard plug: P1I

| P1I    |        |
|--------|--------|
| P/N    | OUTPUT |
| CENTER | +      |



**Derating Curve**



**Static Characteristics(24V)**

