

# Lead Acid Charger Specifications V1.0

<b>Client:</b>	
<b>Model:</b>	<b>AP-PF2200-24 ΑΥΤΟΜΑΤΟΣ ΦΟΡΤΙΣΤΗΣ ΜΠΑΤΑΡΙΩΝ 2200W 24V</b>
<b>Format:</b>	<b>29.2V 60A</b>
<b>P/N:</b>	
<b>Date:</b>	<b>2023/09/25</b>

# Catalog

1. Overview..... 4

2. Product main specifications .....4

3. Environmental conditions .....4

4. Electrical characteristics ..... 5

    (1)Input ..... 5

    (2)Output ..... 5

    (3)Protection ..... 6

    (4)Charging status and charging curve ..... 6

5. Safety regulations and EMC .....7

6. Environmental test requirements .....9

7.Mechanical characteristics and connector definition ... 10

8. Precautions ..... 11

9. Packaging, transportation, storage ..... 12

10. Reliability .....12

## 1. Overview

The model AP-PF2200-24 charger uses an 80 \* 80 \* 25mm bearing fan-cooled charger. The input voltage range is 200-240Vac, the single-channel voltage is up to 29.2V, and the maximum current is 60A. The power supply has reverse polarity protection. The entire power supply is designed in strict accordance with safety regulations.

## 2. Product main specifications

Output Power	Rated input voltage	Output voltage	Output current	Stable voltage accuracy
1752W	200-240Vac	29.2Vdc	60A	±0.2V

## 3. Environmental conditions

NO.	Project	Technical index	Unit	Remark
1	Operating temperature	-10~+45, Typical value 25	℃	Full load

2	Storage temperature	-40~70, Typical value 25	°C	
3	Relative humidity	5%—95%		Non-condensing
4	Altitude	≤2000	m	Normal operation
5	Cooling method	80*80*25mm Bearing fan cooling		

#### 4. Electrical characteristics

(1) Input				
NO.	Project	Technical index	Unit	Remark
1.1	Rated input voltage	200-240	Vac	
1.2	Input voltage range	180—264	Vac	
1.3	Input inrush current	≤100	A	Vin=264Vac, Maximum load, 25°C Vin=264Vac,
1.4	Input current Max	16	A	Vin=180Vac Maximum load Vin=180Vac
1.5	AC input voltage frequency	47—63	Hz	

1.6	PF value	$\geq 0.95$		Input 220V Maximum load
<b>(2)</b>	<b>Output</b>			
<b>NO.</b>	<b>Project</b>	<b>Technical index</b>	<b>Unit</b>	<b>Remark</b>
2.1	Output voltage	29.2	Vdc	
2.2	Output constant current	$60 \pm 5\%$	A	
2.3	Charge transfer current	3000-6000	mA	
2.4	Stable voltage accuracy	$\pm 0.2$	V	

2.5	Efficiency	$\geq 88\%$		Input 220V Maximum load
<b>(3)</b>	<b>Protection</b>			
<b>NO.</b>	<b>Project</b>	<b>Technical index</b>		<b>Remark</b>
3.1	Reverse polarity protection	When the battery's positive and negative terminals are reversely connected to the charger output, the charger will automatically shut down		Close
3.2	Output short circuit protection	The charger will automatically shut down when a short circuit occurs on the charger output		Close

3.3	Output overvoltage protection	When the DC output voltage $\geq 1.05V_{out}$ , the charger turns off the output	Close
3.4	Output overcurrent protection	When the charger output current $\geq 1.1 I_{out}$ , the charger turns off the output	Close
(4)	<b>Charging indication status and charging curve</b>		
<b>NO.</b>	<b>Project</b>	<b>Technical index</b>	
4.1	Power on state	LED is green light	
4.2	Charging state	LED is Blue light	
4.3	Battery charging full state	LED is green light	
4.4	Abnormal state	LED is red light (twinkling)	
4.5	Charge curve	<p>铅酸免维护电池充电曲线 Sealed lead-acid battery charging curve</p>	

### 5. Safety regulations and EMC

NO.	Project	Standard (or test conditions)	Remark
-----	---------	-------------------------------	--------

1	Anti- Electricity Strong Degree	input - output	1500Vac/10mA/1min	No flash arc, no breakdown
		input - ground	1500Vac/10mA/1min	
		output - ground	500Vdc/10mA/1min	
2	Absolutely edge Electricity Hinder	input - output	$\geq 10M\Omega @ 500Vdc$	Under normal atmospheric pressure, relative humidity is 90%, when the test DC voltage is 500V
		input - ground	$\geq 10M\Omega @ 500Vdc$	
		output - ground	$\geq 10M\Omega @ 500Vdc$	
3	Safety certification		CE certification	
4	Leakage current		<3.5mA	
4	EMC requirements	Conducted interference	CLASS B	EN55032
	EMC	Radiation interference	CLASS B	EN55032 FCC CLASS B
		Air discharge	$\pm 8KV$	IEC61000-4-2 (B)
		Contact discharge	$\pm 6KV$	
		Radiation immunity	30—1000MHz 10V/m 80%AM (1KHz)	EN61000-4-3 (A) ETSI EN300 386 V1.3.1(2001)
		Conducted immunity	0.15—30MHz 3V 80% AM (1KHz) Source impedance 150  Ohm	IEC61000-4-6 (A)

	Fast transient burst	1KV 5/50 Tr/Th ns 5kHz Repetition rate	IEC61000-4-4 (B)
	Surge	LEVEL 4	EN61000-4-5 Differential mode 1KV , Common mode 2KV (B) )

Note: (A)-normal performance within the range of technical requirements; (B)-allows the performance to be temporarily reduced, not allowed to reset and interrupt; (R)-after the test, the device should not show physical damage or failure (including software Damage) phenomenon, damage to the protective device (fuse) caused by external interference signals is allowed. After replacing the protective device and resetting the operating parameters, the device can operate normally.

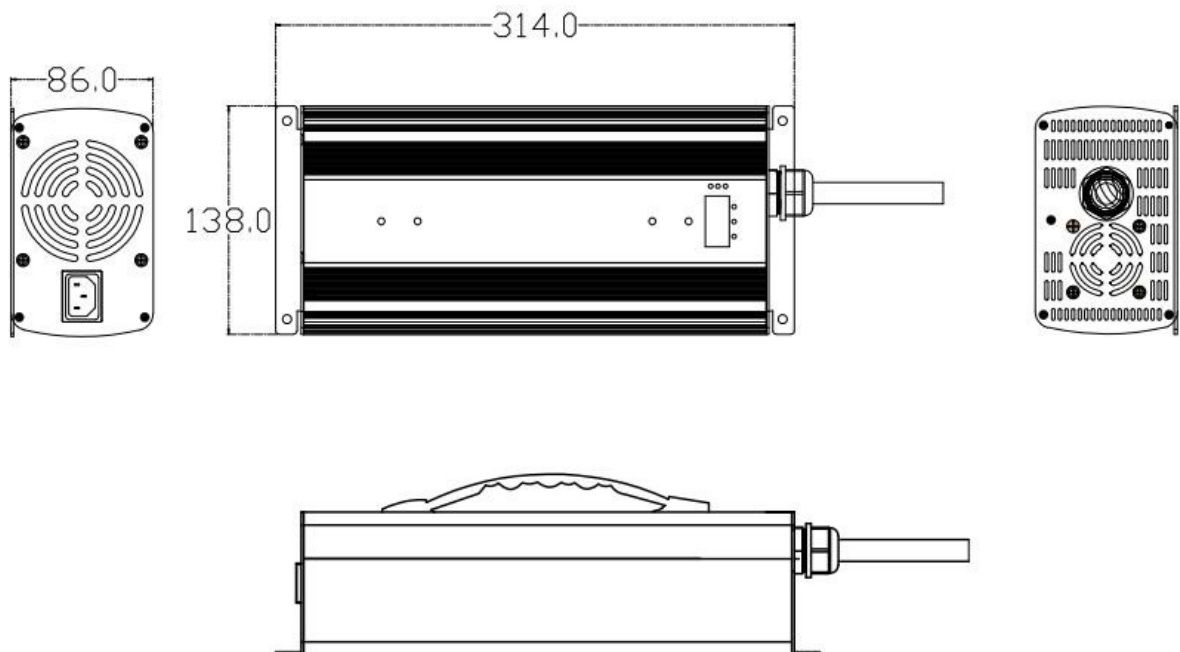
## 6. Environmental test requirements

NO.	Project	Technical index	Criteria or criteria
1	High temperature operation	45 °C	Minimum input voltage, full load, working for 24 hours, normal performance
2	Low temperature operation	-10 °C	Minimum input voltage, full load, working for 24 hours, normal performance
3	High temperature storage	70 °C	48 hours, two hours at room temperature, normal work
4	Low temperature storage	-40 °C	48 hours, two hours at room temperature, normal work

5	Vibration	5-9Hz, amplitude 3.5 mm; 9-200Hz, acceleration 10 m / s <sup>2</sup> ; 3 axis directions, sweep vibration 5 times in each direction (about 3 × 50 minutes);	(1) Components (2) appearance (3) Various indicators
6	Shock	Pulse contact time 6mS; Acceleration 250 m / s <sup>2</sup> ; Six faces with 500 collisions in each direction;	(1) Components (2) appearance (3) Various indicators

**7.Mechanical characteristics and connector definition (unit: mm)**

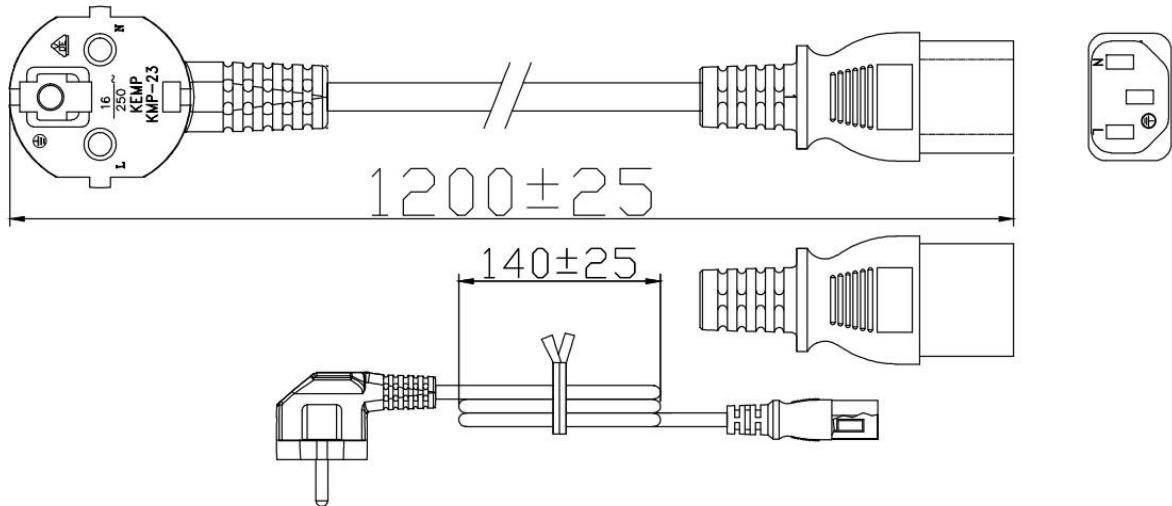
**Outline dimension (Unit: mm) length × width ×height=314×138×86**



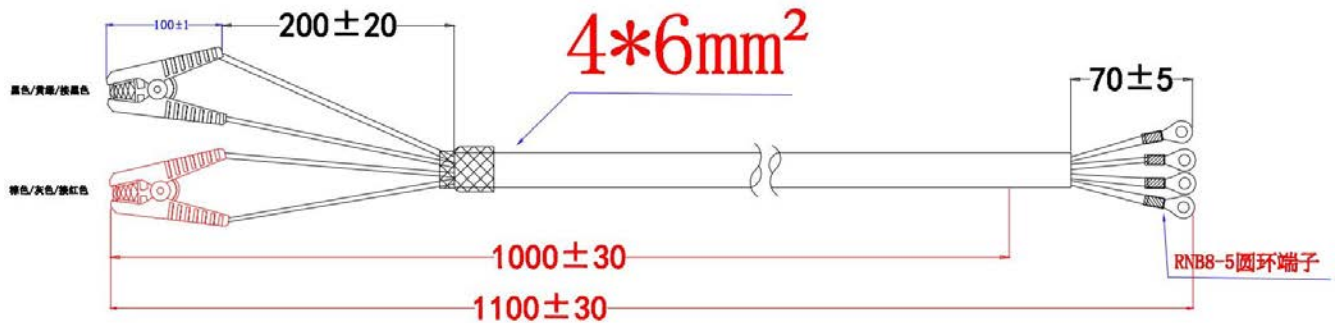
Tolerance of outline dimension is ±0.5mm, others are ±0.2mm in the diagram;

**(1)Input plug**





## (2) Output plug



## (3) Net weight 3.5kg, gross weight 4.3kg

## 8. Precautions

- (1) Read the instructions carefully before using the power supply.
- (2) Check if your input socket can withstand the maximum current.

## 9. Packaging, transportation, storage

### (1) Packaging

The packing box contains the product name, model, manufacturer's logo, inspection certificate from the manufacturer's quality department, and the date of manufacture.

### (2) Transportation

MODEL: AP-PF2200-24 ΑΥΤΟΜΑΤΟΣ ΦΟΡΤΙΣΤΗΣ ΜΠΑΤΑΡΙΩΝ 2200W 24V

It is suitable for the transportation of cars, boats, and airplanes. It should be covered, protected from sun, and handled carefully during transportation.

### (3) Storage

When the product is not in use, it should be stored in a packing box. The ambient temperature of the warehouse is  $-40^{\circ}\text{C}$  to  $+70^{\circ}\text{C}$  and the relative humidity is 5% to 95%. No hazardous gas, flammable, explosive products and corrosion are allowed in the warehouse. Chemical products without strong mechanical vibration, shock and strong magnetic field. The packaging box should be at least 20cm high from the ground and at least 50cm away from the wall, heat source, window or air inlet. The storage period under these conditions is generally 1 year, the inspection should be repeated after 1 year.

## 10. Reliability

- 1、 MTBF $\geq$ 50Khour (25 $^{\circ}$ C, full load)
- 2、 Life time $\geq$  2 years