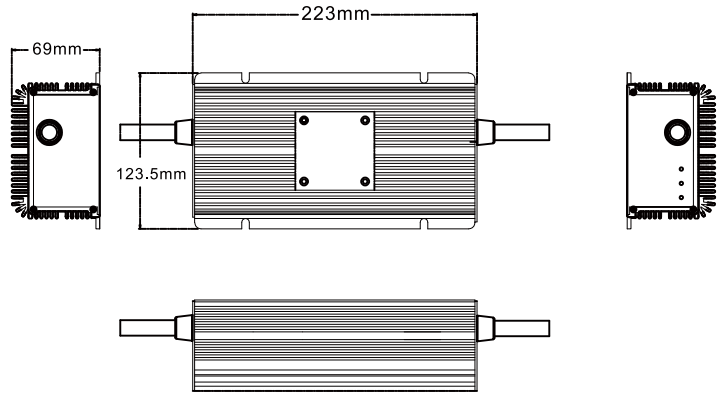


▶ Product Appearance



▶ Features

- Over Current Protection
- Short Circuit Protection
- Anti-revert Current Protection
- Over Voltage Protection
- Reverse Polarity Protection
- Anti-spark Protection

▶ Technical Specifications

Model	25.6V Lithium Battery Charger
Rated input voltage	100Vac-240Vac
Input Frequency	47-63Hz
Input current	8A MAX
Power Factor	≥0.95
Output Voltage	29.2V
Output Current	20A
Full Load Efficiency	≥92% Input 230Vac@ Full load
Operating Temperature	-20°C ~ 40°C
Storage Temperature	-40°C ~ 85°C
Dimensions(mm)	223*123.5*69
Net Weight	2.85Kg
Certificate	UL CE FCC PSE KC SAA
IP Class	IP20
Charge curve	<p>The graph shows a constant current charging profile. The current starts at $1/5I$, rises to a constant level I, and then drops to $3/40I$. The total time for this process is $\leq 10H$.</p>