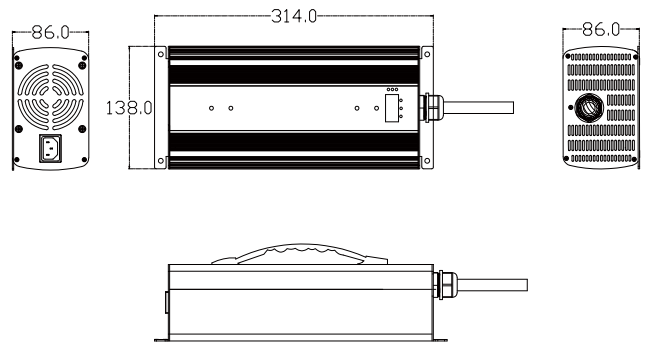


▶ Product Appearance



▶ Features

- Over Current Protection
- Short Circuit Protection
- Anti-revert Current Protection
- Over Voltage Protection
- Reverse Polarity Protection
- Anti-spark Protection

▶ Technical Specifications

Model	48V Lithium Battery Charger
Rated input voltage	100Vac-240Vac
Input Frequency	47-63Hz
Input current	16A MAX
Power Factor	≥0.95
Output Voltage	54.75V
Output Current	20A
Full Load Efficiency	≥92% Input 230Vac@ Full load
Operating Temperature	-20°C ~ 40°C
Storage Temperature	-40°C ~ 85°C
Dimensions(mm)	314*138*86
Net Weight	3.5Kg
Certificate	CE FCC
IP Class	IP20

Charge curve

