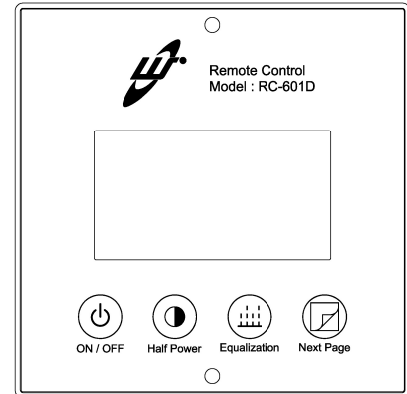


# Remote Controller RC-601D

## User Manual

### Function

- Switch the charger ON and OFF
- Half Power mode ON/OFF
- Equalization ON
- Display Real-Time information and Settings.

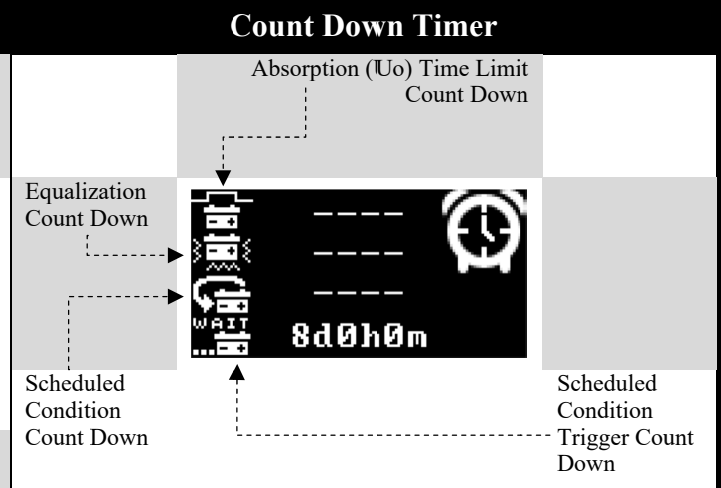
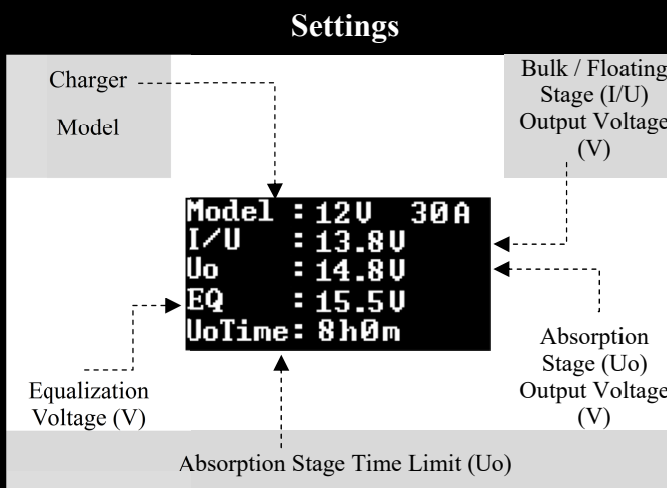
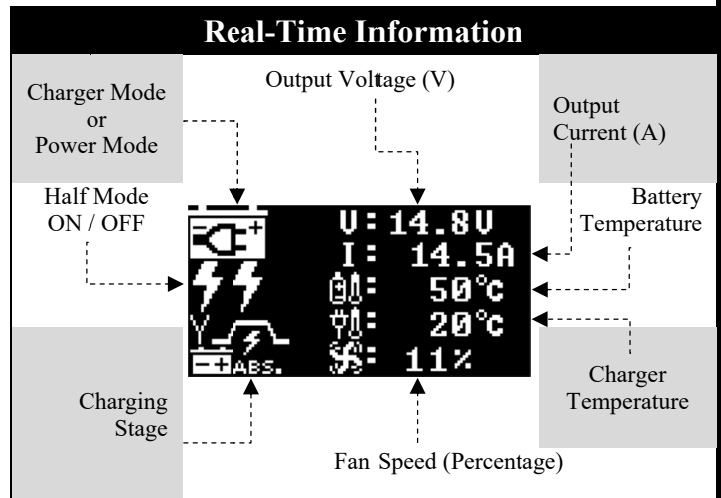
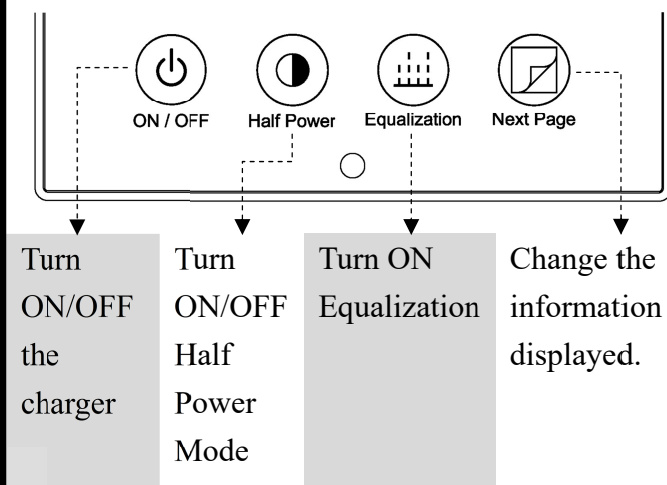


### Caution

- Be careful when attaching the remote control, for wiring harnesses, cables and other components that are in the assembly range could be damaged in the process!

### Note

- The power switch at the unit must be switched ON, so that the unit can be switched ON and OFF with the remote controller.



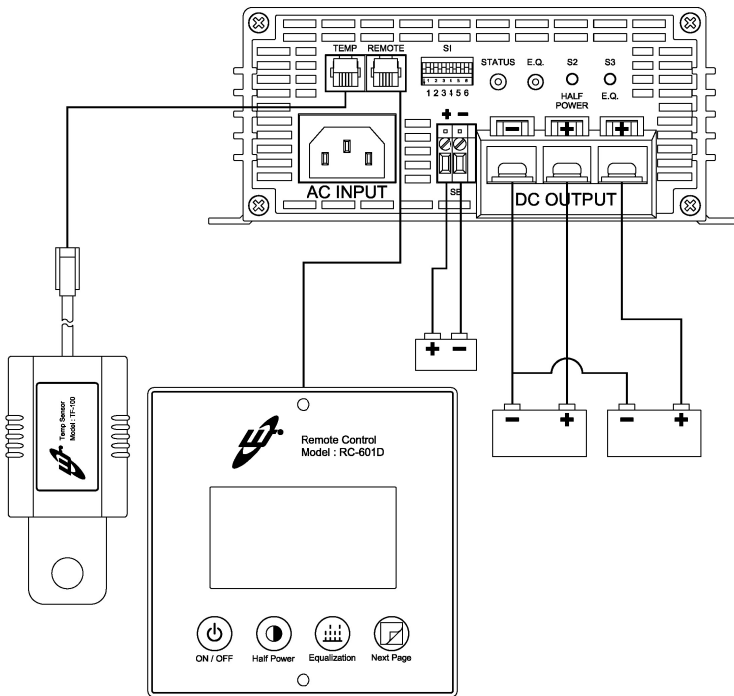
# Installation

- Ensure approximately 79mm width, 71mm height and 28mm depth for the take-up of the remote controller.
- Connect the remote controller to the charger. The connection cable is equipped with two equivalent modular plugs.
- Place the remote controller into the opening created. Secure the remote controller with screws on the upper and bottom margin of the faceplate – use the available drills.

## Note

- The length of RC-601D cable is 10M.

### Installation



### Dimensions (mm)

