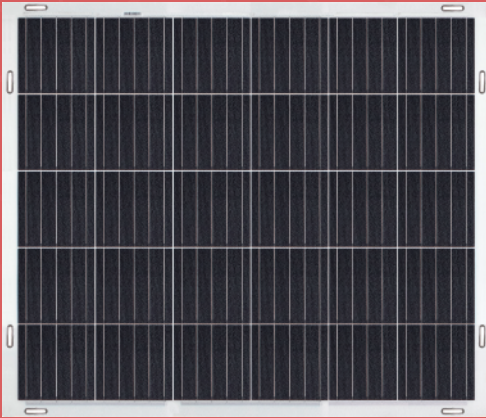


eArc

SMF150M-6X05DW

150 Watt

30 Cell Monocrystalline Module



Ultra-light: Glass free module weighs 2.6 kg, 70% lighter than conventional glass modules.



Aesthetic: Seamless integration with underlying installation surface.



Durable: eArc is the first glassless module to pass the same durability tests as conventional glass modules, including IEC 61215:2016, IEC61730:2016 and UL1703 (USA). eArc has also passed PID, salt mist and ammonia corrosion tests.

POWER OUTPUT RANGE 150 W

POWER TOLERANCE 0-5 W

LINEAR PERFORMANCE WARRANTY

12 Year Product Warranty

25 Year Linear Power Warranty



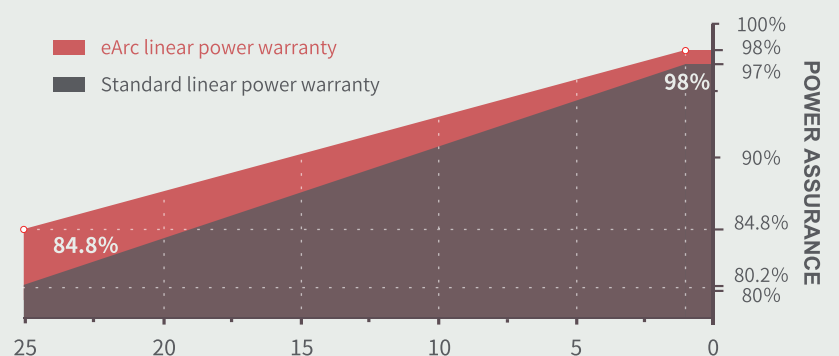
www.sunman-energy.com



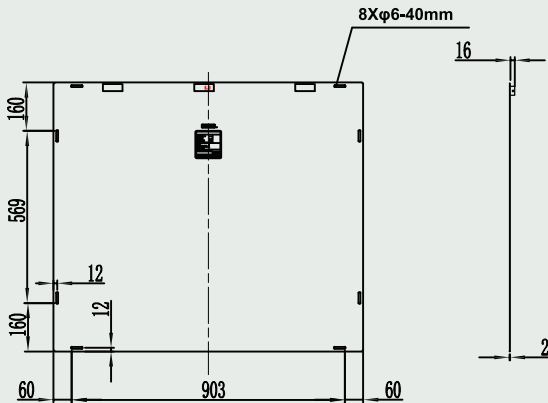
ULTRA-LIGHT & FLEXIBLE SOLAR PANEL

CAUTION: Read installation manual before using the product.

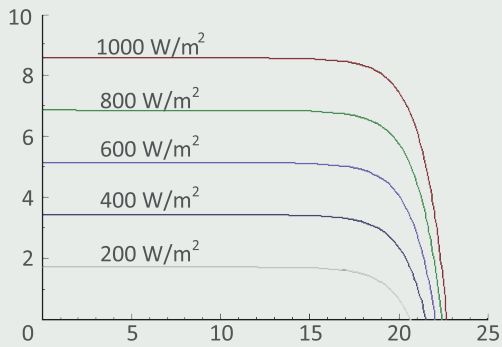
©2021 Sunman (zhenjiang) Co., Ltd. All rights reserved. Specifications included in this datasheet are subject to change without notice.



DIMENSIONS

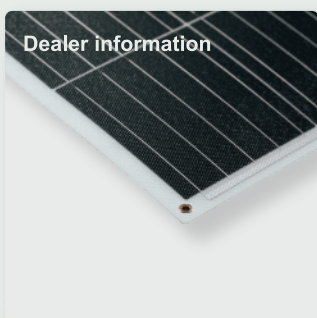


I-V CURVE (150)



TEMPERATURE CHARACTERISTICS

Nominal Module Operating Temperature(NMOT)	41±2 °C
Temperature Coefficient of P_{max}	-0.38 %/°C
Temperature Coefficient of V_{oc}	-0.28 %/°C
Temperature Coefficient of I_{sc}	0.020 %/°C



SMFDW IEC EN 2022D

ELECTRICAL CHARACTERISTICS

STC	SMF150M-6X05DW
Maximum Power (P_{max})	150
Maximum Power Voltage (V_{mp})	18.7
Maximum Power Current (I_{mp})	8.14
Open-circuit Voltage (V_{oc})	22.7
Short-circuit Current (I_{sc})	8.54
Module Efficiency (%)	17.6
Operating Temperature	-40 °C to 85 °C
Maximum System Voltage	1000 V DC (IEC)
Maximum Series Fuse Rating	20 A
Application Class	Class A
Power Tolerance	0/+5 W

STC: Irradiance 1000W/m², Cell temperature 25°C, AM=1.5.

Tolerances of P_{max} , V_{oc} and I_{sc} are within ±5%

NMOT	SMF150M-6X05DW
Maximum Power (P_{max})	122.7
Maximum Power Voltage (V_{mp})	18.9
Maximum Power Current (I_{mp})	6.49
Open-circuit Voltage (V_{oc})	22.8
Short-circuit Current (I_{sc})	6.81

NMOT: Irradiance 800W/m², Ambient temperature 20°C, AM=1.5, Wind speed 1 m/s.

MECHANICAL CHARACTERISTICS

Solar Cell	Monocrystalline silicon (158.75mm)
No. of Cells	30 (6×5)
Module Dimensions	1023×889×2 mm
Weight	2.6kg
Backsheet	White
Frame	Frameless
J-box	IP 68 rated
Output Cables	Photovoltaic technology cable 4.0 mm 2, (+)450 mm / (-)450 mm
Connector	MC4 compatible

PACKAGING CONFIGURATION

	20' GP	40' HC
Module per pallet	66+86	66+86
Pieces per container	1216	2736