

FLEX SERIES-1.7N

CIGS Flexible Modules: High Power Density in a Flexible Form Factor

KEY FEATURES

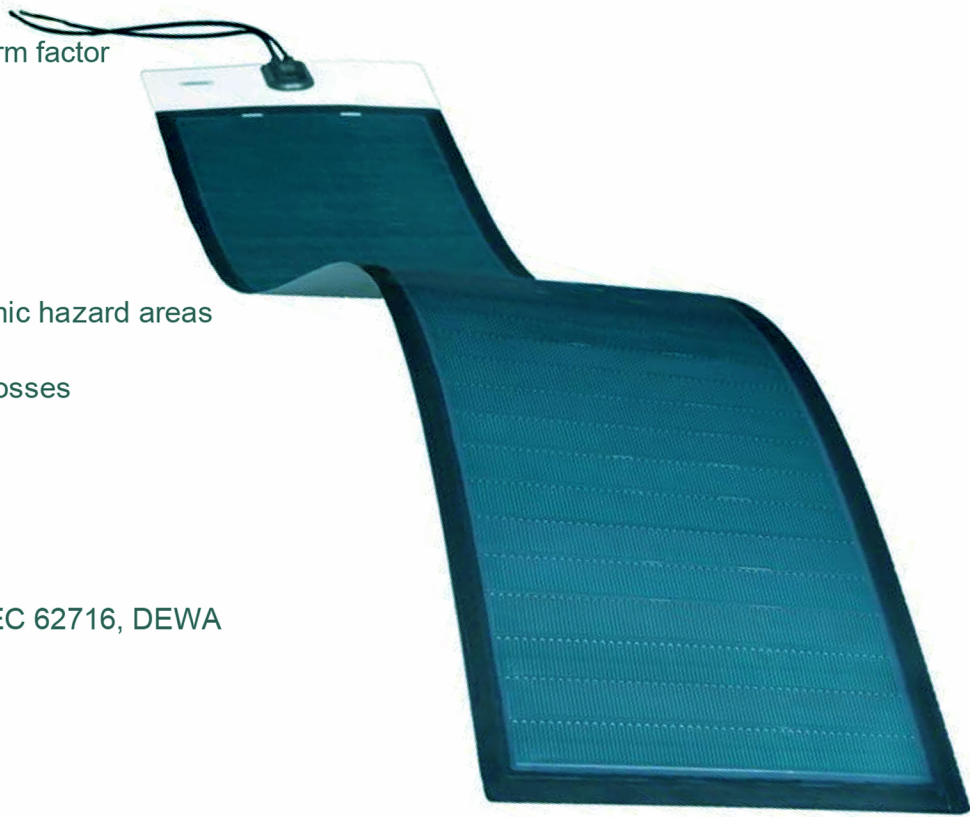
- ▶ Record efficiency levels in a CIGS flexible form factor
- ▶ Low installed weight at less than 2.9 kg/m² (<0.6 lb/ft²)
- ▶ No penetrations, ballast or racking required
- ▶ Applicable for high wind load and high seismic hazard areas
- ▶ Bypass diodes reduce PV system shading losses
- ▶ Directly bonds to many approved surfaces

RELIABILITY AND SAFETY

- ▶ IEC 61646, IEC 61730-1 & -2, IEC 61701, IEC 62716, DEWA
- ▶ UL 1703, ULC ORD C1703, UL 2703

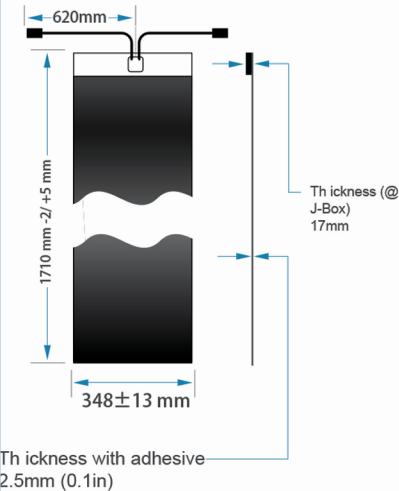
WARRANTY

- ▶ 5 year workmanship
- ▶ 10/25 year warranty against power loss



FLEX series CIGS MODULE

ELECTRICAL PERFORMANCE AT STC¹



			FLEX – 03 70N	FLEX – 03 75N	FLEX – 03 80N	FLEX – 03 85N
Nominal Power	P_{MPP}	[W]	70	75	80	85
Aperture Efficiency	η	[%]	14.3%	15.3%	16.3%	17.3%
Power Output Tolerance		[W]	+5/-0	+5/-0	+5/-0	+5/-0
Maximum Power Voltage	V_{MPP}	[V]	18.3	18.8	19.3	19.8
Maximum Power Current	I_{MPP}	[A]	3.85	4.00	4.15	4.30
Open Circuit Voltage	V_{oc}	[V]	23.5	23.7	24	24.3
Short Circuit Current	I_{sc}	[A]	4.70	4.52	4.55	4.58
Maximum Series Fuse Rating		[A]	10			
Maximum System Voltage (IEC/UL)			1000/600			

¹Standard Test Conditions (STC): 1000 W/m², 25° C cell temperature, AM 1.5 spectrum

THERMAL CHARACTERISTICS

NOCT	[°C]	48
Temperature Coefficient of P_{MPP}	[%/°C]	-0.38
Temperature Coefficient of V_{oc}	[%/°C]	-0.28
Temperature Coefficient of I_{sc}	[%/°C]	0.008

PHYSICAL AND MECHANICAL SPECIFICATIONS

Length	1710±7 mm (67.8±.3in)
Width	348±13 mm (14.3±.5in)
Thickness, Maximum at J-Box*, Module	17 mm (0.7 in), 2.5mm (0.1 in)
Weight (Module without adhesive)	1.4 kg (3.0 lb)
Weight (Module with adhesive)	1.9 kg (4.1 lb)
Weight/Area (Module without adhesive)	2.1 kg/m ² (0.4 lb/ft ²)
Weight/Area (Module with adhesive)	2.9 kg/m ² (0.6 lb/ft ²)
Junction Box Type	IP68
Cable Connections	Amphenol Technology Shenzhen (E346053)
Cell Type	Copper Indium Gallium Diselenide (CIGS)
Warranty**	5 year workmanship; 10/25 year power output
Certifications	UL 1703, ULC ORD C1703, UL 2703, IEC 61646, IEC 61730-1 & -2, IEC 61701, IEC 62716, DEWA
Packaging Info	15 modules per crate, 150 modules per pallet, 1800 modules per 20' ISO container, 2400 modules per 40' ISO container

*2.5 mm (0.1 in) for the rest of the module with adhesive

*1.5 mm (0.06 in) for the rest of module without adhesive

**Please see full warranty for details