

## PEJB Series DC Junction Box

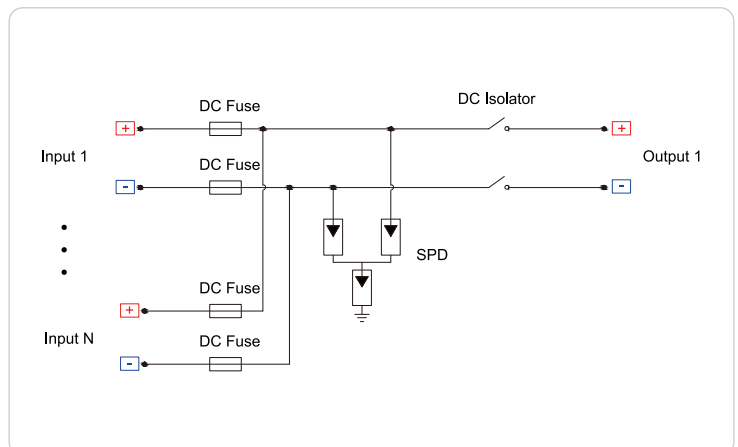


- Suitable for 1 string input 1 string output PV system, equipped with a surge protector and an isolator, providing isolation, leakage and grounding protection.
- Enclosures are made of polycarbonate (PC) materials. IK08 high impact-resistance and light enough to easily carry. IP66 rating for outdoor installation, resisting UV radiation, water, dust, reducing corrosion.
- Through transparency cover, you can observe interior mechanism directly.
- Reliable components, with TUV, CE certificated, in accordance with IEC standard.
- IP68 cable connector. Waterproof cable connector & MC4 connector are optional.

## Technical Data

Model	PEJB-1-1
<b>General Data</b>	
Input	1 String
Output	1 String
Max. Voltage	1000 V
Max. Output Current	25 A
Certification	All components inside comply with CE, CB and TUV, NF is optional
<b>Enclosure</b>	
	Standard, Size 6P (8P Optional)
Material Type	Polycarbonate
Anti-UV	Yes
Flame Retardant	Yes
Ingress Protection Rating	IP66
Impact Protection Rating	IK08
Input Cable Specification	PG25, 2.5 to 6 mm <sup>2</sup>
Output Cable Specification	PG25, 2.5 to 6 mm <sup>2</sup>
<b>DC Isolator</b>	
Nominal Insulation Voltage	1000 VDC
Nominal Current	25 A
Category	DC-21B/PV2
Standard	IEC 60947-3
Certification	TUV, CE
<b>DC Surge Arrester</b>	
Max. Operation Voltage	1000 VDC
Max. Discharge Current	40 kA
Standard	EN50539 Type 2
Up	4 kV
<b>DC Fuse</b>	
	Optional, 1P
Nominal Voltage	1000 V
Nominal Current	25 A
Pole	1P
<b>Environment</b>	
Operating Temperature	-20 °C to +60 °C
Humidity	99%
Altitude	2000 m
Installation	Wall Mounting

## Diagram



Note: More strings input and output or higher capacity of current and voltage in each string can be customized.

### ProJoy Electric Co., Ltd.

XinTang Industrial Zone, PingJiang District, Suzhou, China  
 Tel: +86 512 6878 6489 | Fax: +86 512 6878 6489  
 Email: sales@projoy-electric.com | www.projoy-electric.com