

EV10 High Speed Fuse



10X38 高速熔断器 10X38 High Speed Fuse



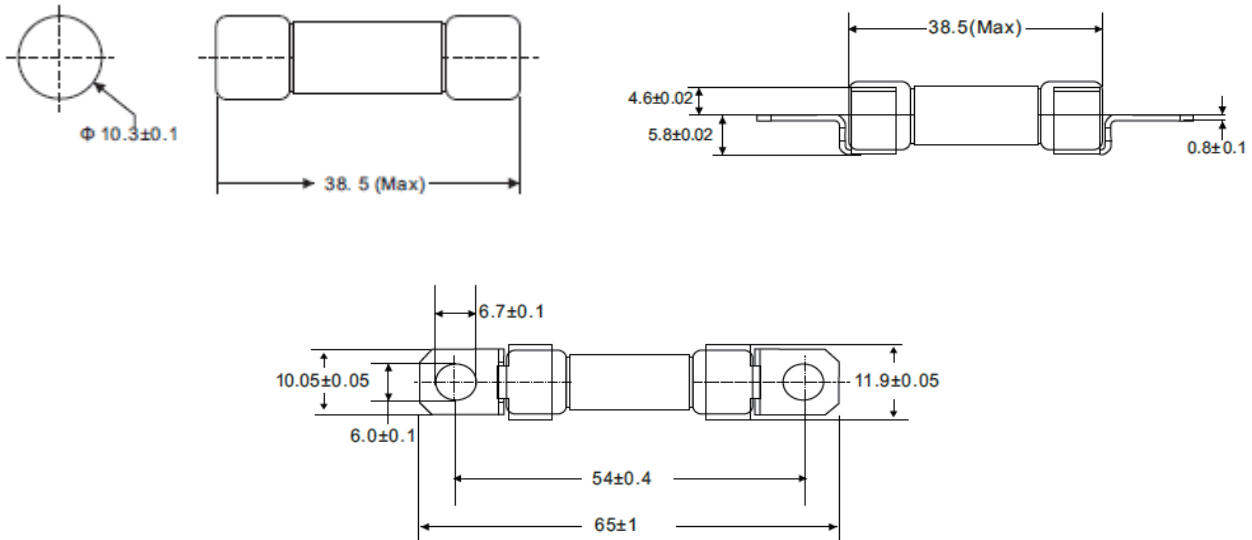
工作温度:
Operating Temperature:
-55°C ~ +125°C

材料:
Materials:
Terminals: Tin plated copper
Tube: Ceramic Tube
Element: Silver alloy
Filler: Silica Sand
Cap: Tin plated copper

电气特性: Electrical Characteristics

额定电流的% % of Ampere Rating	熔断时间 Opening Time
100%	4 Hours Min.
200%	300 Seconds Max.

尺寸/Dimension:



目录编号及规格/Catalog No. and specification:

Type	目录编号 Catalog No.	Rated Voltage	Current Range	Interrupting Rate	Certification	Certificate Status
DC/AC	EV10V200	200VDC/AC	5-60A	15KA@200VDC	UL	○
	EV10V500	500VDC/AC	5-50A	10KA@500VDC	UL	○
	EV10V600	600VDC/AC	5-32A	10KA@700VDC	UL	○
	EV10V700	700VDC/AC	5-32A	10KA@700VDC	UL	○

Note: "○" means certificating on going; "●" means certificated