

DC FUSE

PEDF-1000/1500

PROJOY
electric
- Switch To Safety! -

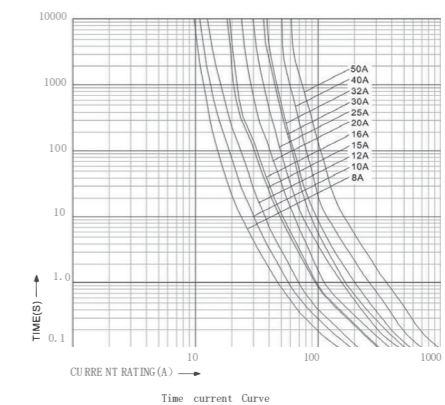
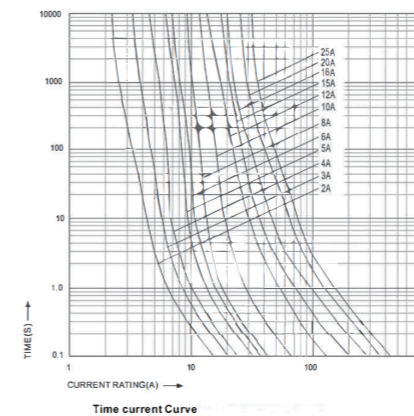
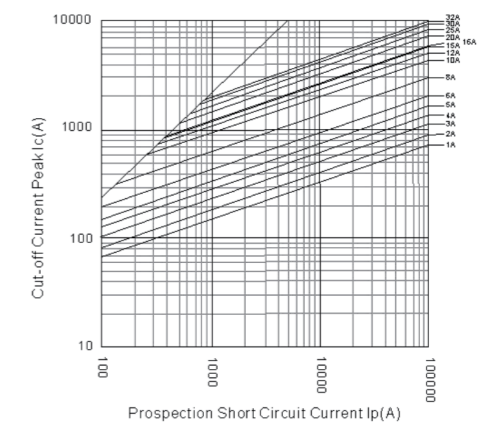
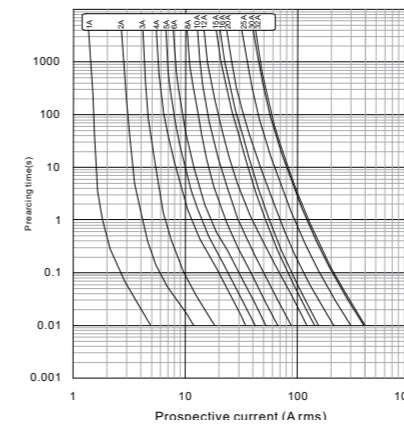
PROJOY
electric
- Switch To Safety! -

Agreed Time and Current

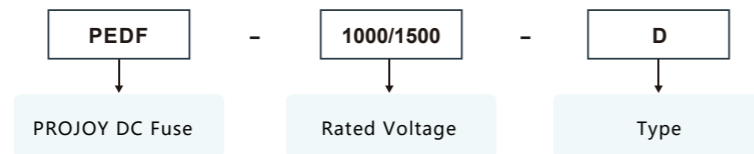
"gPV" represents a DC fuse with a full range of breaking capability for overcurrent protection of solar photovoltaic systems.

Rated current of fuse block A	Agreed Time h	Agreed Current	
$I_n \leq 63$	1	Inf	I_f
$63 < I_n \leq 160$	2	1.13I _n	1.45I _n
$160 < I_n \leq 400$	3		
$I_n > 400$	4		

Special graph



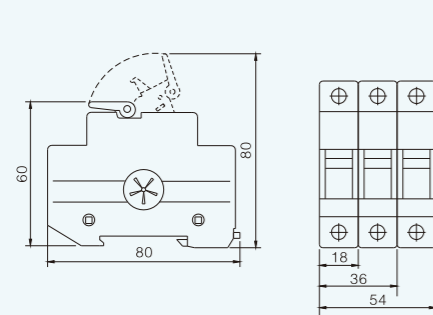
Select Code



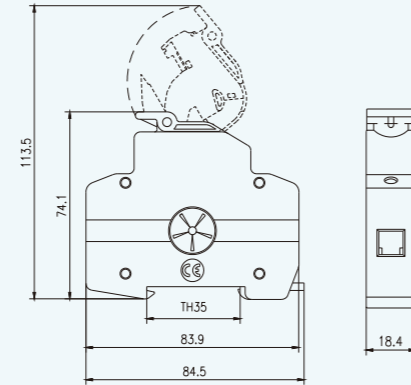
Features of gPV Fuse

PEDF series melting core is made of pure silver and the variable cross section melt is enclosed in a melting tube made of high strength porcelain. The melting tube is filled with chemically treated high purity quartz sand and specially treated chemical substances as arc extinguishing medium. The two ends of the melt are firmly connected with the end cap by spot welding.

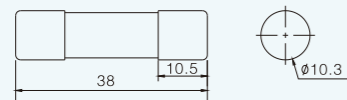
Dimension



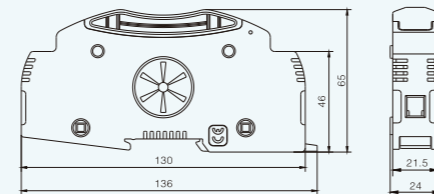
PEDF-1000-D



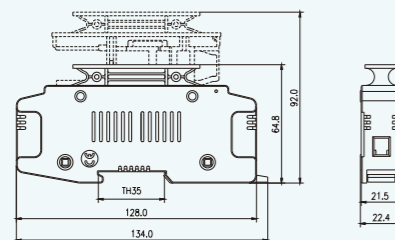
PEDF-1000



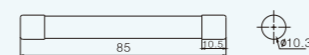
PEDF-1000-RX



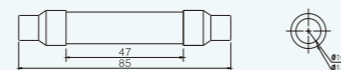
PEDF-1500-S



PEDF-1500



PEDF-1500-RX



PEDF-1500-RXS

Technical Data

Model	PEDF-1000、PEDF-1000-D	PEDF-1500、PEDF-1500-S
Poles	1P	
Standard	IEC60269-1/IEC60269-6	IEC60269
Rated working voltage Ue VDC	1000V DC	1500V DC
Rated current In A	30A	50A
Breaking capacity kA	20kA	
Protection degree	IP20	
Wire mm ²	1-25mm ²	
Ambient temperature	-40°C~90°C	-50°C~90°C
Elevation	≤2000m	
Relative humidity	+20°C, ≤90%; +30°C, ≤80%; +40°C, ≤70%	
Installation environment	Avoid obvious shock and vibration	
Installation class	III	Class III
Mounting channel	TH35-7.5/DIN35 rail	

gPV Fuse	PEDF-1000-RX	PEDF-1500-RX	PEDF-1500-RXS
Rated working voltage Ue VDC	1000V DC		1500V DC
Rated current In A	1、2、3、4、5、6、8、10、12、15、16、20、25、30	2、3、4、5、6、8、10、12、15、16、20	25、30、32、40、45、50
Type	gPV		
Dimension mm ²	10.3×38	10.3x85	14x85