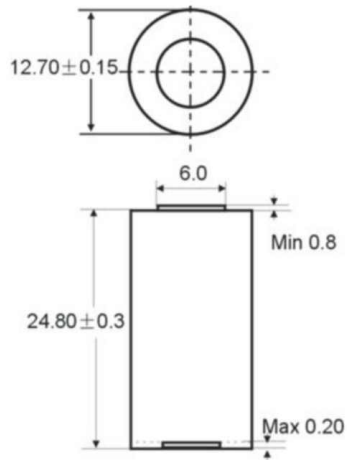


## ALKALINE BUTTON CELL

Document Title: PB034LR44

# 4LR44



Unit: mm(inch)

**Chemical System :** Alkaline  
Zinc-Manganese Dioxide (Zn/MnO<sub>2</sub>)

**Camelion No. :** 4LR44

**IEC No. :** 4LR44

**ANSI/NEDA No. :** 4LR44

**Average Weight :** 11.0g

**Dimension (∅ x H) :**  $12.8^{+0.2} \times 25.1^{+0.3}$  mm  
 $0.50^{+0.01} \times 0.99^{+0.01}$  inch

**Terminals :** Flat

**Nominal Voltage :** 6.0Volts

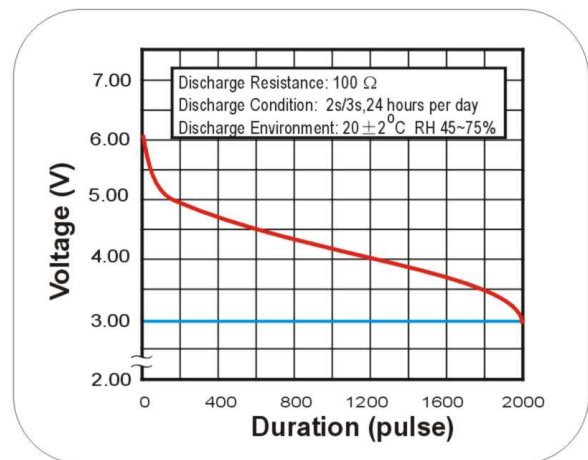
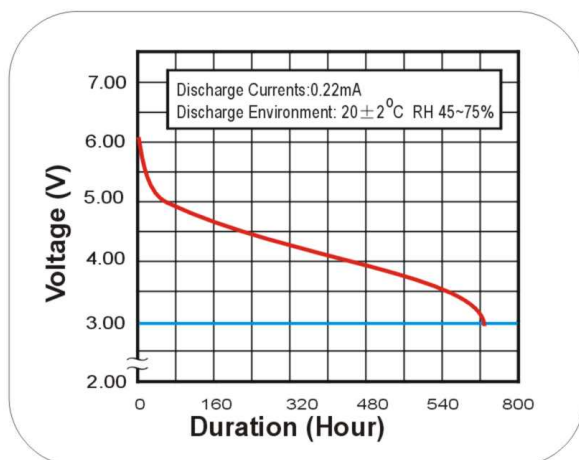
**Average Capacity :** 165mAh to 3.2 volts  
( $20 \pm 2^\circ\text{C}$ , Rated capacity at 0.22 mA continuous drain )

**Jacket :** Aluminum Foil Label

**Cross Reference :** 467A, A544, PX28A, V4034PX

## Discharge Characteristics

Load Resistance	Cut Off Voltage	Discharge Pattern	Duration
27k Ω	3.60V	24hrs/day	900 hrs
100 Ω	3.60V	2s/3s, 24hrs/day	1800pulses



**Notice:**  
This information is subject to change without prior notice and for reference only. It should not be used as a basis for a product guarantee or warranty. For additional information, please consult your nearest Camelion Sales Office or Distributor or visit our website at: [www.camelionbattery.com](http://www.camelionbattery.com).